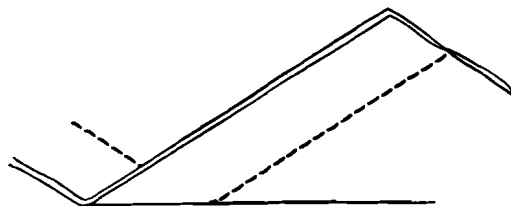


Chainstitch



Regular Straight Stitch

## *a word about single-thread chainstitching*

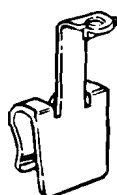
Single-thread chainstitching looks like regular straight stitching on top, but is a series of interlocking loops on the underside of the fabric. The stitches are produced by the needle thread alone — so you do not need a bobbin thread or a bobbin. Because the stitches are formed by a single thread, the interlocked loops unravel easily. The entire line of stitching can be removed with just a pull on the thread end. Also, the loop formation of the stitches makes them less taut than regular straight stitches. That's what makes chainstitching flexible.

[www.geocities.com.tf43](http://www.geocities.com.tf43)

## *where to use chainstitching*

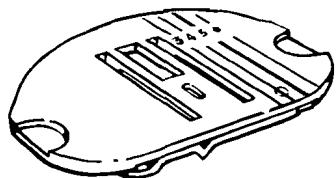
Here are a few of the many sewing jobs for which you will find chainstitching useful. Pages 41 and 60 show you how chainstitching can save you time and work.

- Basting —
  - Trial seams for fitting
  - Construction guidelines
  - Zipper openings, linings, and interfacings
- Stay-stitching to preserve garment shape during assembly
- Fastening removable trimming —
  - Fur collars
  - White collars and cuffs
- Hemming curtains and draperies that may need to be altered
- Sewing temporary tucks to extend the life of —
  - Children's clothes
  - Curtains and linings that might shrink
- Making welting for corded seams, tubular cording for trimming and button loops
- Attaching hem tape
- Making stay chains to anchor linings or to hold belts or shoulder pads in place



Thread Guide

Bobbin Case Cover



Chainstitch Throat Plate

Chainstitch Fittings

## preparation

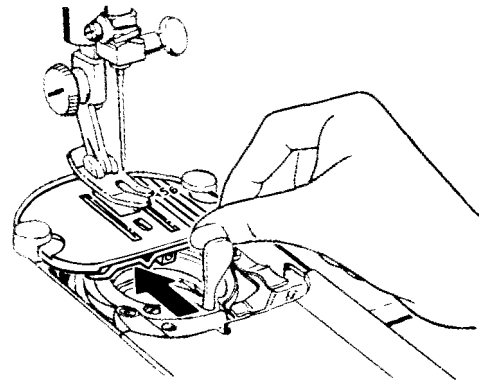
### 1. Attach chainstitch fittings.

- Turn hand wheel toward you to raise take-up lever to its highest point.
- Raise presser foot, open slide plate, and remove bobbin.
- Unlock throat plate and remove.
- Slide chainstitch throat plate into place from front. Lock it in REGULAR position.
- Insert bobbin case cover in bobbin case. The finger-lift tab goes to the right. Close slide plate.
- Open face plate and slip chainstitch thread guide into place. Close face plate.

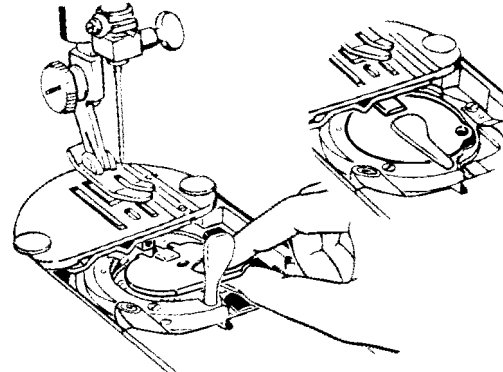
### 2. Thread your machine in the usual way *except* pass thread from take-up lever through self-threading eyelet in the chainstitch thread guide.

Soft, pliable threads of light and medium weight are most suitable for chainstitching. No. 50 mercerized cotton and "A" silk are recommended. Use these threads in a size 14 needle.

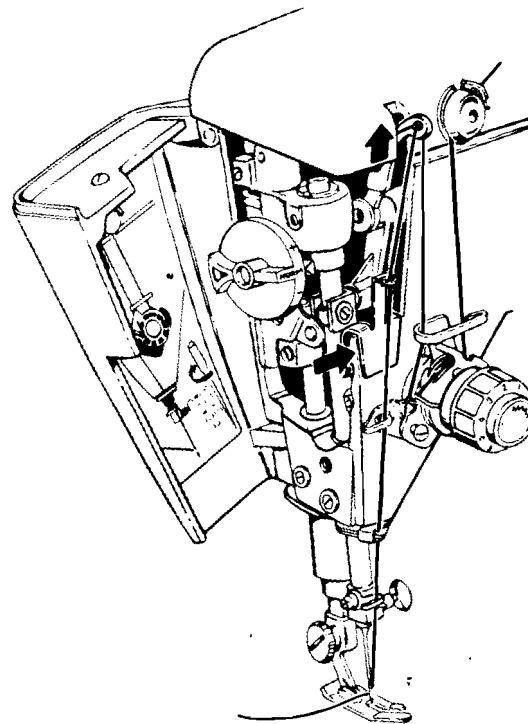
### 3. Adjust thread tension. Chainstitching requires approximately the same needle-thread tension as regular straight stitching, provided the same kind of thread is used. When the tension is correctly adjusted, the chain will be flat and smooth. Puckers in the fabric and pinched loops indicate too much tension; turn dial to a lower number. Large, irregular loops indicate too little tension; turn dial to a higher number.



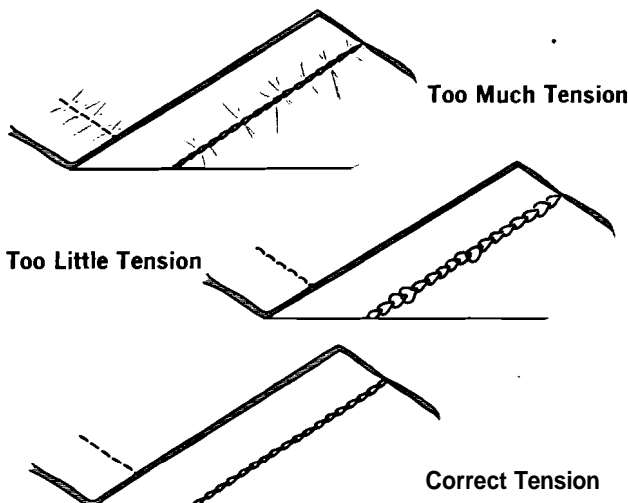
Insert Throat Plate



Position the Bobbin Case Cover

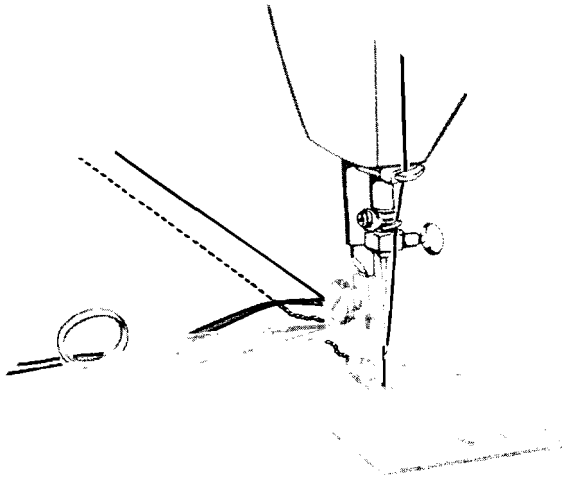


Attach the Thread Guide



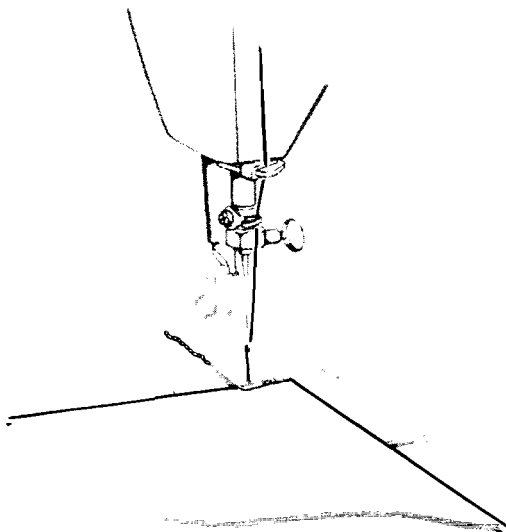
## sewing a chainstitch seam

- **Stitch Width Selector: 1**
- **Needle Position: C**
- **Stitch Length: 10 or 12 only**
- **Presser Foot: Straight Stitch, General Purpose, or Zipper Foot**



Chaining Off

[www.geocities.com/tf43](http://www.geocities.com/tf43)



Stitch Starting Point after Chaining Off

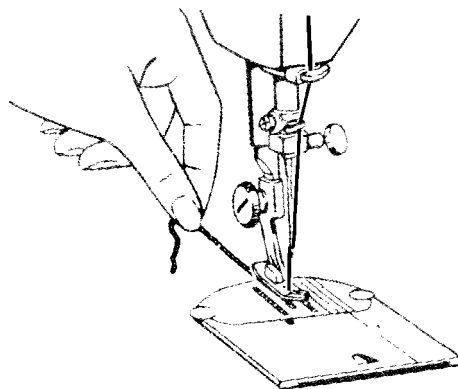
### STARTING AND CHAINING OFF

1. Be sure that throat plate is in **REGULAR** position. then turn hand wheel toward you to position needle in very edge of fabric. Lower presser foot.
2. Start the machine, and stitch to end of seam. Continue stitching beyond edge of fabric, making a chain from one to two inches long.
3. Cut chain between fabric and presser foot.
4. After chaining off, start a new line of stitching by raising the presser foot slightly and positioning the fabric in front of needle. Lower presser foot and stitch to end of seam.

### RELEASING THE CHAIN FROM THE MACHINE

When you finish chainstitching, the chain can easily be removed from the machine.

1. Raise presser foot.
2. Hold end of chain with your left hand.
3. Turn hand wheel slowly toward you with your right hand until needle is all the way down in the needle hole.
4. Then turn hand wheel slowly *away* from you, pulling gently on chain, which will unravel as needle rises.



Releasing Chain

