

FACE PLATE

- Removal:
1. Loosen hex socket screw (B).
 2. Remove screw (A) at bottom of face plate.
 3. Ease face plate off locating pin at top of arm.

- Replacement:
1. Guide face plate on to locating pin.
 2. Align screw hole in place with hole in arm. Thread screw (A) into arm. Seat face plate correctly before tightening screw (A) first and set screw (B) last.

TOP COVER

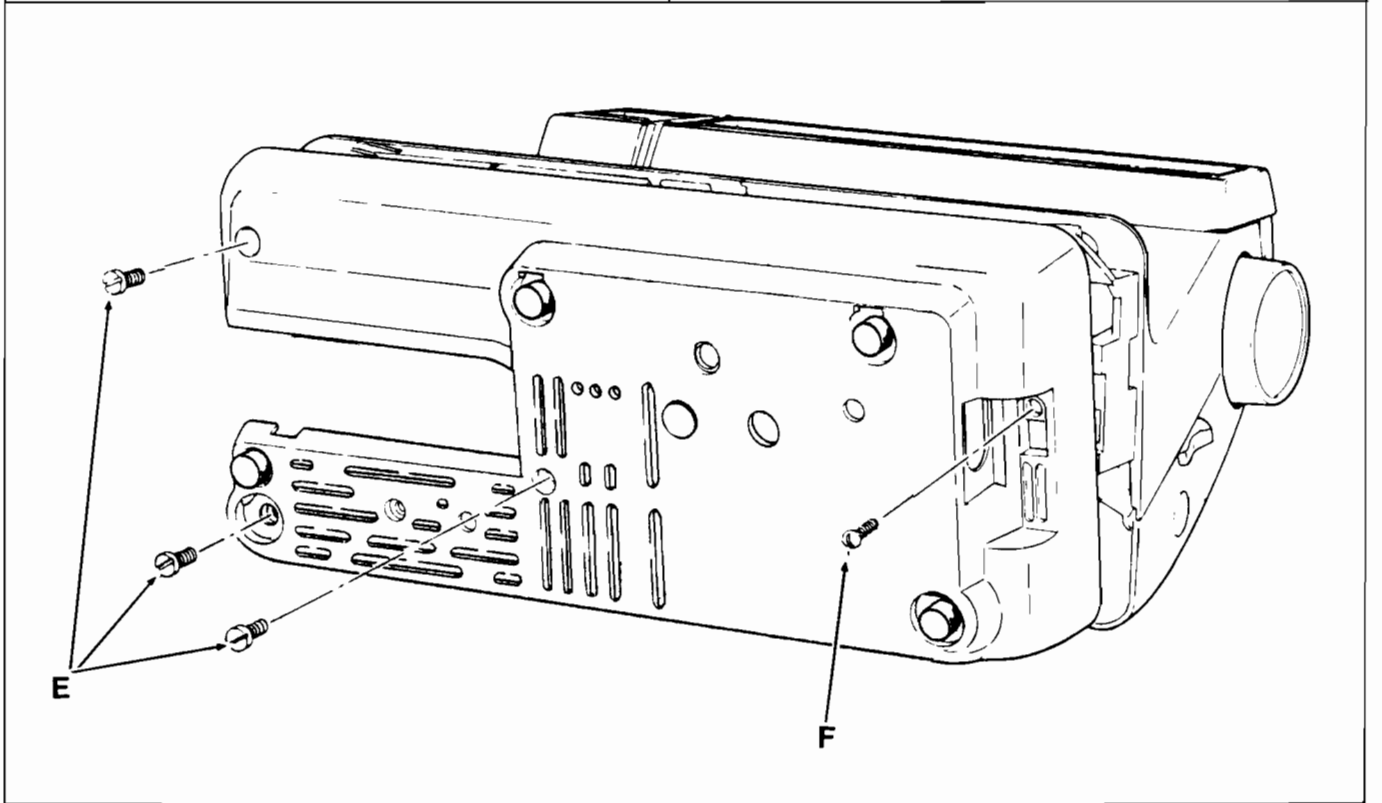
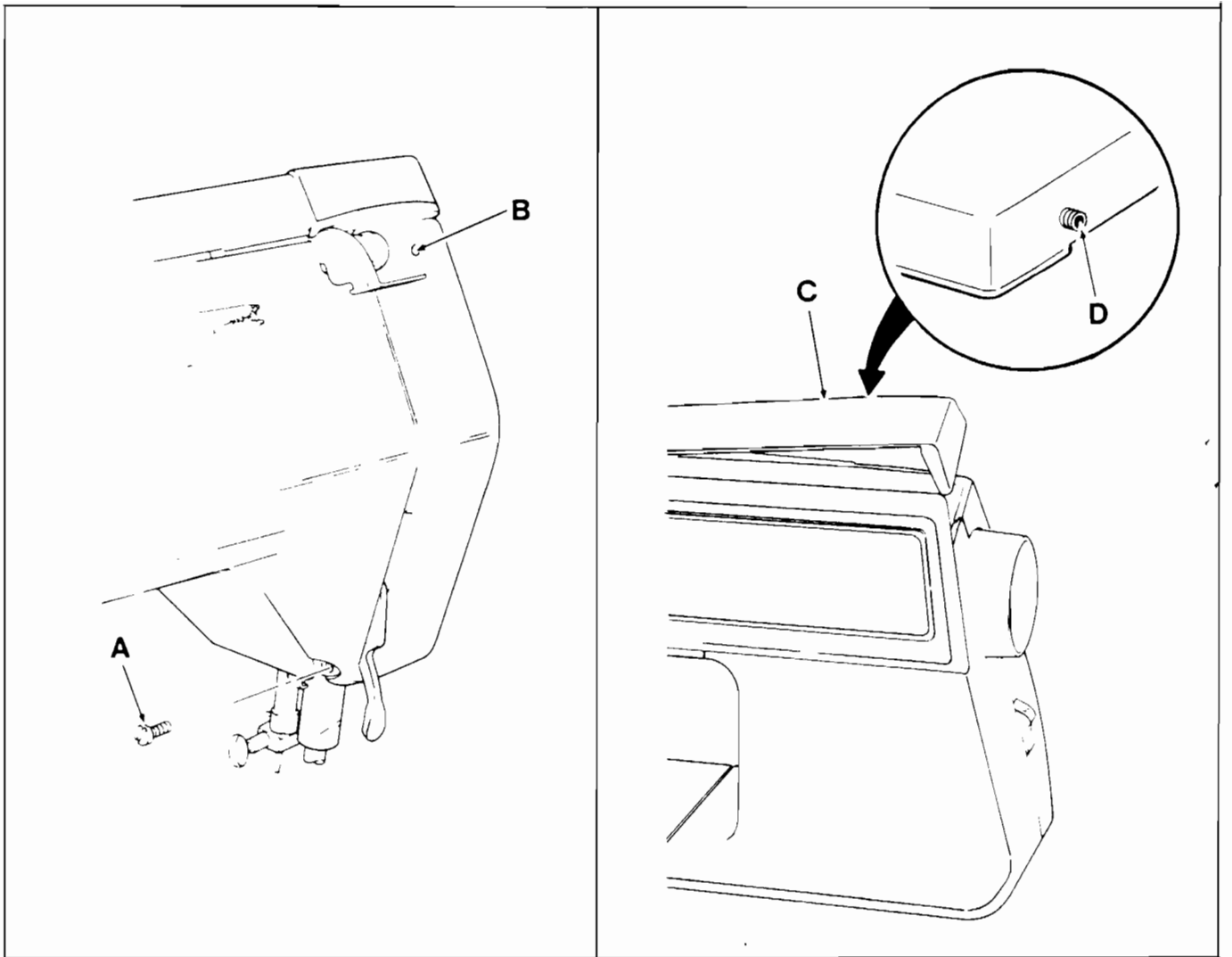
- Removal:
1. Loosen screw (D) at right rear of top cover 10 or 12 turns.
 2. Slightly raise right rear corner of top cover (C).
 3. Place thumb into take-up lever well and press top cover to the right.
 4. Lift right end of cover and remove from machine.

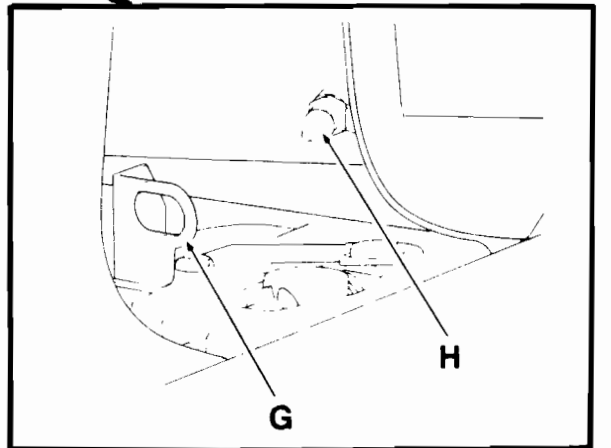
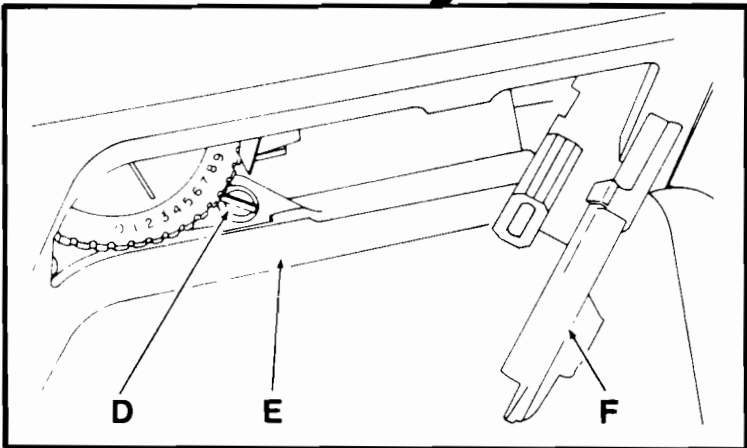
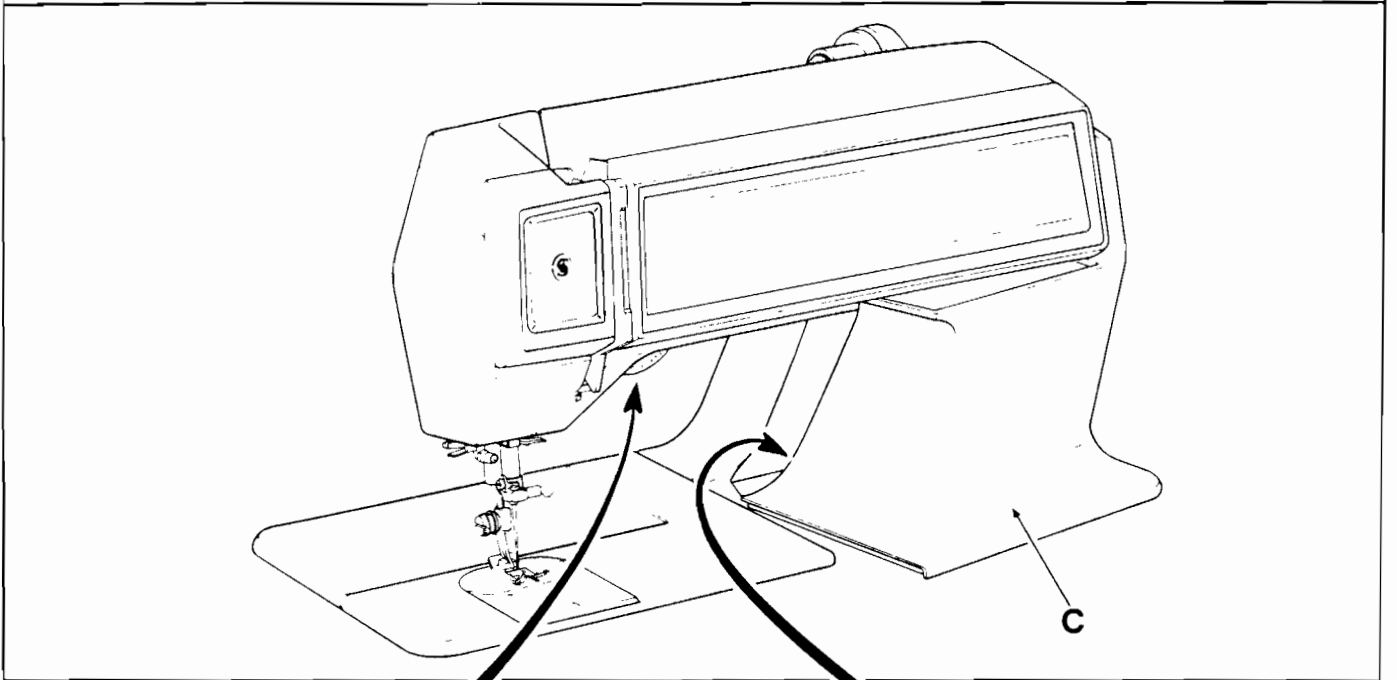
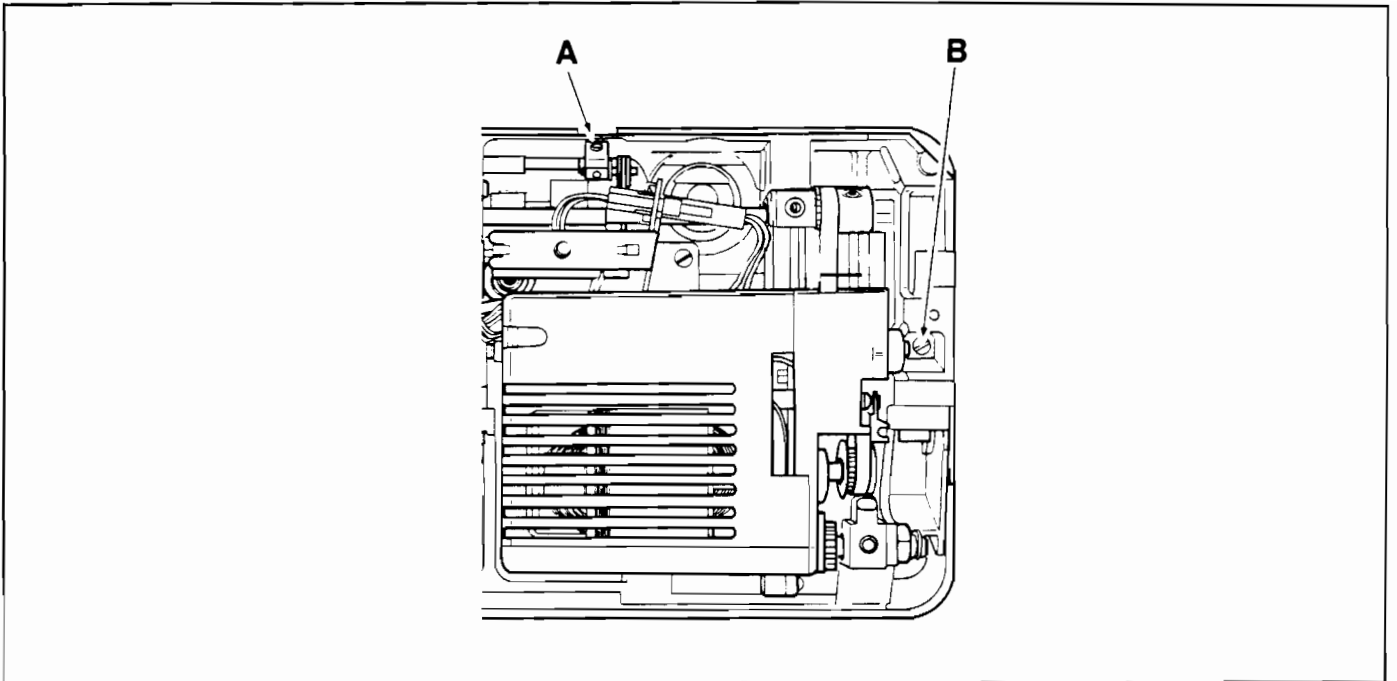
- Replacement:
1. Place cover flat on top of the machine arm with the hold-down clamps to the right of the hold-down screw studs.
 2. Press cover to the left being sure the hold-down clamps are properly located under the hold-down screw studs.
 3. Tighten screw (D) until the head of the screw is flush with the top cover.

BOTTOM COVER

- Removal:
1. Lay machine on its back on a soft cloth and remove three slotted screws (E), and slotted self-tapping screw (F).
 2. Draw bottom cover off the machine.

- Replacement: Replacement is the same as removal in reverse order.





FRONT COVER

Removal:

1. Remove arm top cover and bottom cover.
2. Loosen control panel mounting screws but do not remove.
3. Lay machine on its back and remove front cover screw (B).
4. While lifting lower edge of control panel assembly away from the front cover, insert a screwdriver in the cutout area (A) of the front cover and carefully levering the screwdriver against the skirt of the machine bring the front cover forward until locking stud (H) is released from retaining bracket (G).
5. While continuing to lift the lower edge of the control panel slightly upward, grasp lower left corner of the front cover (C), pivoting it on the right end bringing the cover forward and away from the machine.

Replacement:

1. Replacement is the same as removal in reverse order.
2. Be sure locking stud (H) is securely locked in retaining bracket (G).

FRONT COVER SEGMENT

Removal:

1. Loosen control panel mounting screws but do not remove.
2. Lower light assembly (F).
3. Remove cover segment screw (D).
4. Pull front cover segment (E) straight down.
5. Disconnect L.E.D. harness connector and remove cover segment.

Replacement:

1. Replacement is the same as removal in reverse order.