



Home Sewing Machine

PARTS REFERENCE LIST

**MODEL: LS-2720/LS-2820/LS-2920/LS-2725
LS-2825/LS-1520/LS-2129/LS-2125
LS-2125i/LS-2130/LS-2150/LS-2125b
SL-7/JS-23/VX-1435/X-5
LX-3125/LX-3125e/LS-2160**

MECHANISMS & ELECTRONICS

CONTENTS

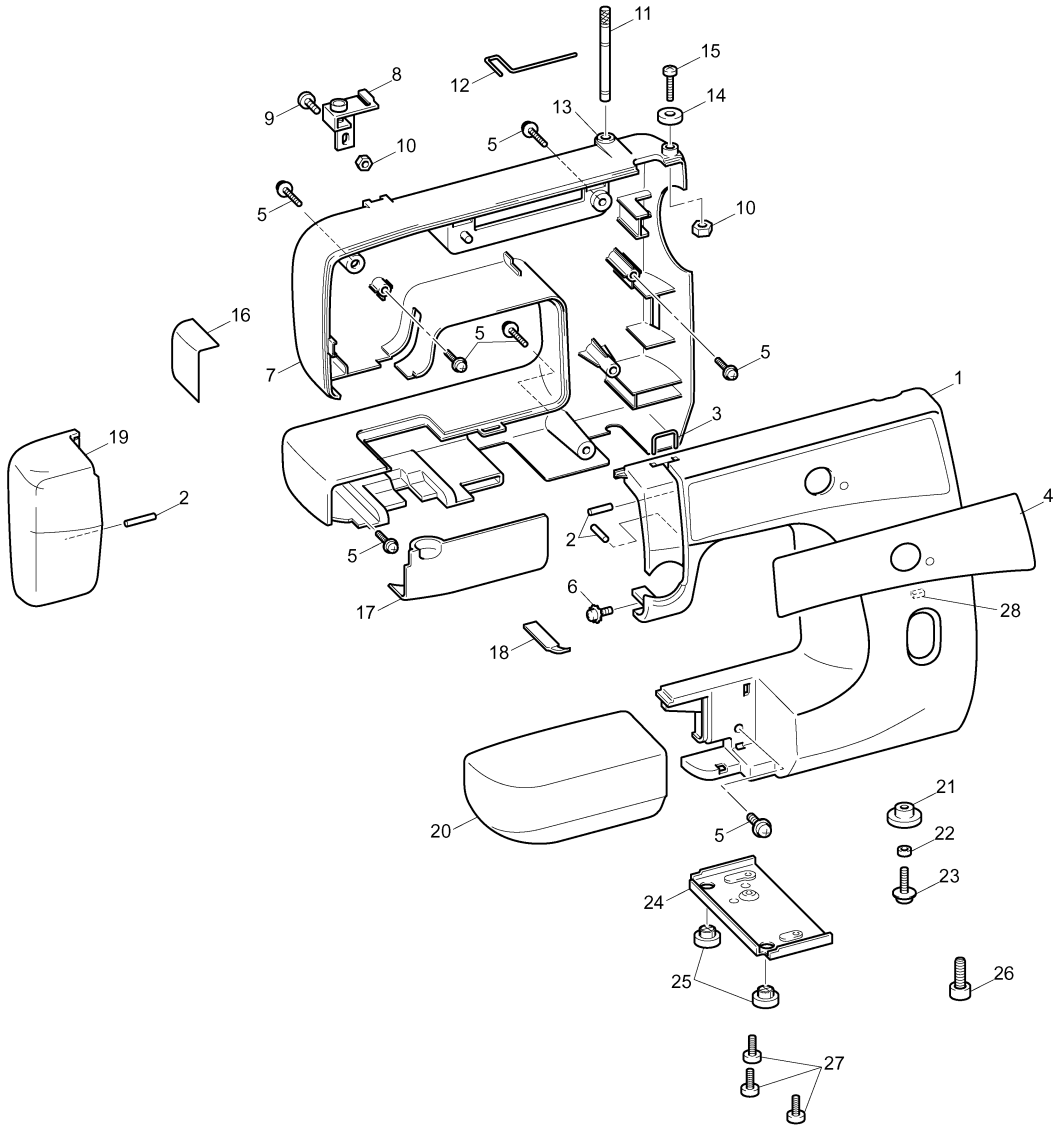
(1) PRINCIPAL PARTS.....	2
(2) UPPER SHAFT AND NEEDLE BAR.....	4
(3) FEED MECHANISM	6
(4) PATTERN SELECTION, SHUTTLE HOOK AND UPPER TENSION.....	8
(5) LAMP AND MOTOR.....	10
(6) OTHER PARTS	12

Note on parts:

We keep performance parts for this sewing machine for at least 8 years after this model is discontinued. Performance parts are the necessary parts to maintain the function of the sewing machine.

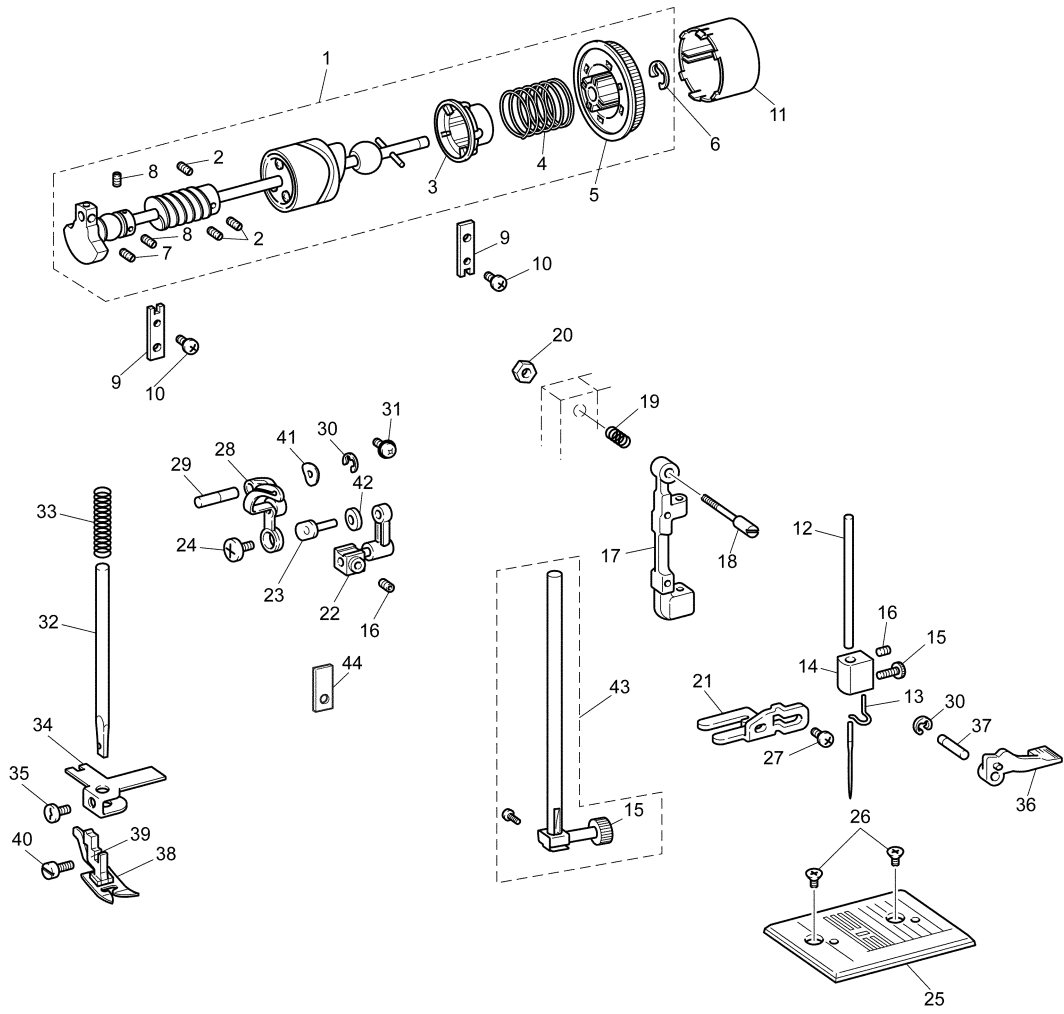
(1) PRINCIPAL PARTS

No.	CODE	NAME	REMARKS	No.	CODE	NAME	REMARKS
1	XD0289021	FRONT COVER (OTHER)	050102	14	X59864221	BOBBIN PRESSER	
	XE2150001	FRONT COVER (LS-2130, LX-3125, LX-3125e)	1000008671	15	052301606	SCREW, PAN (S/P WASHER) M3X16	
	XE7647001	FRONT COVER (LS-2125i)	1000017561	16	X57891021	REFLECTOR	
2	0A0211850	PIN SPRING ROLL BW2		17	XA7926021	HINGED DOOR	
3	X53625121	UPPER COVER THREAD GUIDE		18	X53638121	SPRING	
4	XC0730021	DECORATION PLATE (LS-2720)		19	XA9974021	FACE PLATE (OTHER)	
	XC0730022	DECORATION PLATE (LS-2820)			XE2217001	FACE PLATE (LS-2130, LX-3125, LX-3125e)	1000008671
	XC0730023	DECORATION PLATE (LS-2020, 2920)			XE7057001	FACE PLATE (LS-2125i)	1000017561
	XC0730024	DECORATION PLATE (LS-1520)		20	XD0793021	ACCESSORY TABLE (OTHER)	050102
	XC0730025	DECORATION PLATE (LS-2725)			XE2218001	ACCESSORY TABLE (LS-2130, LX-3125, LX-3125e)	1000008671
	XC0730026	DECORATION PLATE (LS-2825)			XE7058001	ACCESSORY TABLE (LS-2125i)	1000017561
	XC0730027	DECORATION PLATE (LS-2125, LS-2125b: USA, CAN, ARG, CHL, TWN, PRY, GUF, Latin America (2&5))			21	X58361021	RUBBER CUSHION
	XC0730028	DECORATION PLATE (LS-2129)		22	X56474021	SPACER	
	XC0730029	DECORATION PLATE (LS-2125: OTHER)		23	X57297021	SCREW	
	XC0730031	DECORATION PLATE (SL-7)		24	XA7932021	BASE PLATE	
	XC0730032	DECORATION PLATE (LS-2125i)		25	XA1805021	BASE RUBBER A	
	XC0730033	DECORATION PLATE (JS-23)		26	XA4687021	ADJUSTING SCREW ASSY	
	XC0730034	DECORATION PLATE (VX-1435)		27	060400816	SCREW BIND M4X8	
	XC0730035	DECORATION PLATE (X-5)	1000001349	28	XA7769021	CUSHION	
	XC0730036	DECORATION PLATE (LS-2150: OTHER)	1000005185				
	XC0730037	DECORATION PLATE (LS-2160)	1000008821				
	XE2338001	DECORATION SHEET (LS-2130, LX-3125)	1000008671				
	XE7599001	DECORATION SHEET (LX-3125e)	1000016438				
	XC0730038	DECORATION PLATE (LS-2150: AUS)	1000015026				
	5	138172021	SCREW, PAN (S/P WASHER) M4X10				
6	053400806	SCREW, PAN (T WASHER) M4X8					
7	XC1201121	REAR COVER ASSEMBLY	1000009386				
	XD0291121	REAR COVER (LX-3125e, LS-2125: CHL, GUF, Latin America (2&5))	1000016438				
	XE7055001	REAR COVER (LS-2125i)	1000017561				
8	XE7029001	THREAD GUIDE ASSY	1000014592				
9	0A5301006	SCREW, PAN (S/P WASHER) M3X10					
10	021300106	NUT 1 M3					
11	XC8701021	SPOOL PIN (OTHER)	1000009210				
	XE6223001	SPOOL PIN (LS-2125: U.S.A., LS-2125i, U.S.A., VX-1435: U.S.A., LX-3125, LX-3125e)	1000013717				
12	XA0628121	SPOOL PIN SPRING	1000012082				
13	XA8851021	SPOOL PIN STAND	050073				



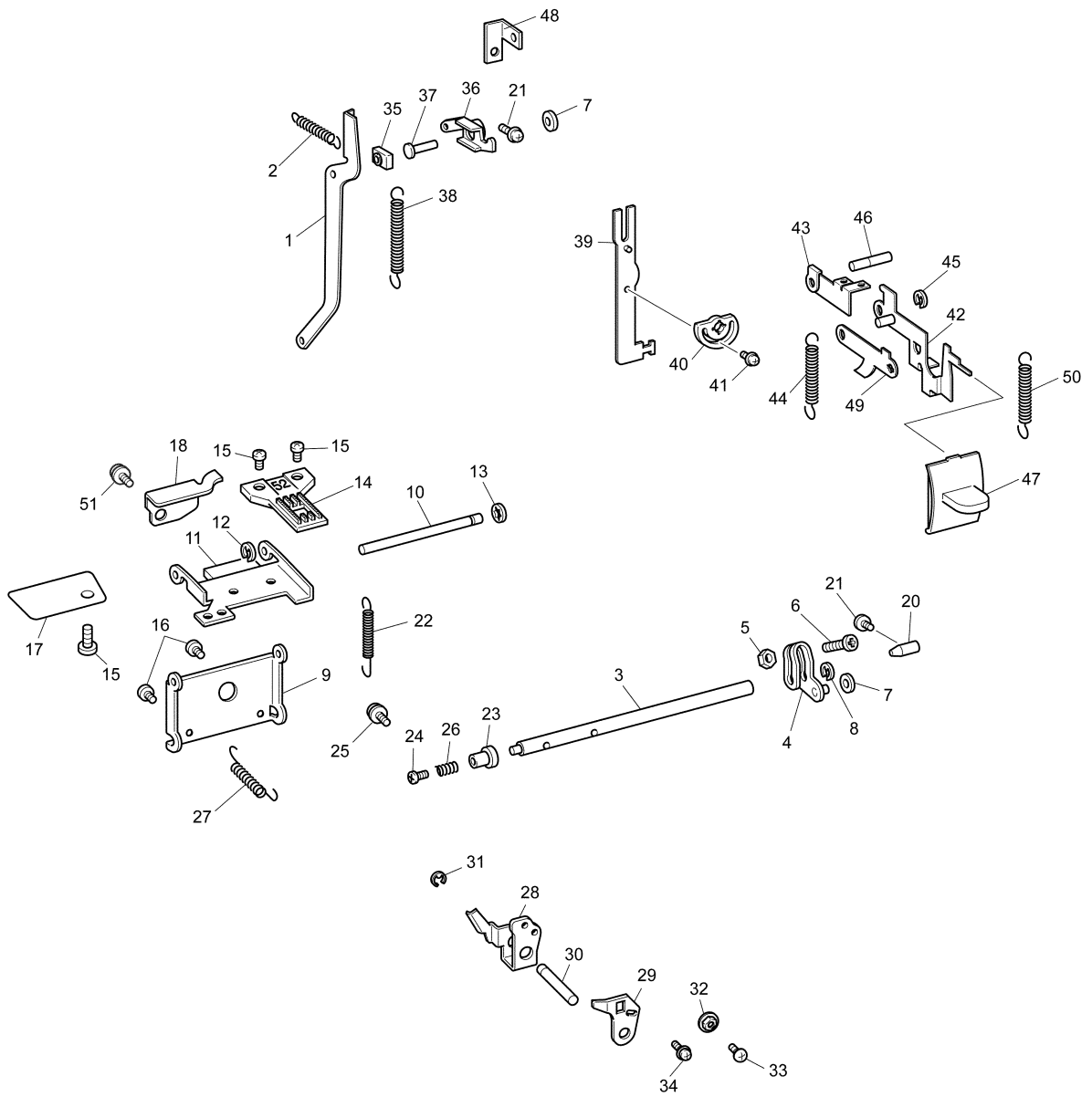
(2) UPPER SHAFT AND NEEDLE BAR

No.	CODE	NAME	REMARKS	No.	CODE	NAME	REMARKS
UPPER SHAFT				27	X57908021	TAPTITE, BIND S M4X10	
1	XE3693001	UPPER SHAFT SUPPLY ASSY	1000006160	28	XA1112121	THREAD TAKE-UP ASSY	
2	012400432	SET SCREW SOCKET (FT) M4X4		29	XA0648120	THREAD TAKE-UP LEVER STUD	
3	XA0637120	CLUTCH PLATE		30	048050346	RETAINING RING E5	1000001452
4	XA0636020	CLUTCH SPRING		31	X57913021	TAPTITE, BIND S M4X16	
5	XA0638120	TIMING PULLEY		32	128437020	PRESSER BAR (EXCEPT: LS-1520: USA)	040158
6	048080346	RETAINING RING E8	1000001452		XA2402020	PRESSER BAR (LS-1520: USA)	040158
7	012500532	SET SCREW SOCKET (FT) M5X5	1000010653	33	X55770021	PRESSER BAR SPRING (LS-21**, VX-1435, JS-23, X-5, SL-7, LX-3125, LX-3125e)	1000008671
8	014400432	SET SCREW SOCKET (CP) M4X4			X55770051	PRESSER BAR SPRING (OTHER)	
9	X52478021	BUSHING PRESSER		34	XA0975021	PRESSER BAR GUIDE BRACKET (LS-21**, VX-1435, JS-23, X-5, SL-7, LX-3125, LX-3125e)	1000008671
10	X57908021	TAPTITE, BIND S M4X10			XA0975051	PRESSER BAR GUIDE BRACKET (OTHER)	
11	XA0639021	BALANCE WHEEL		35	X52760021	SET SCREW, PAN M6 x 12	
NEEDLE BAR				36	XA2511121	PRESSER FOOT LIFTER	
12	XA2358121	NEEDLE BAR (EXCEPT: LS-2125i, LS-2130, LX-3125, LX-3125e, LS-2150)		37	XA0977150	PRESSER FOOT LIFTER STUD	
13	XA0642120	NEEDLE BAR THREAD GUIDE (EXCEPT: LS-2125i, LS-2130, LX-3125, LX-3125e, LS-2150)		38	138135122	ZIGZAG PRESSER FOOT	
14	XA0643121	NEEDLE CLAMP (EXCEPT: LS-2125i, LS-2130, LX-3125, LX-3125e, LS-2150)		39	138134021	PRESSER FOOT HOLDER (OTHER)	
15	XC8563031	NEEDLE CLAMP SCREW (LS-2125i, LS-2130, LX-3125, LX-3125e, LS-2150)	1000008671		XC3015031	PRESSER FEED HOLDER ASSY (LS-2125i, LS-2130, LX-3125, LX-3125e, LS-2150)	1000008671
	XA0644021	NEEDLE CLAMP SCREW (OTHER)		40	132730122	TIGHTENING SCREW 3.57	
16	012400432	SET SCREW SOCKET (FT) M4X4		41	XA1866021	WASHER, SPRING	050209
17	XA8983021	NEEDLE BAR SUPPORTER (EXCEPT: LS-1520: USA)		42	X53330020	WASHER	1000003111
	XC6386021	NEEDLE BAR SUPPORTER (LS-1520: USA)		New Spec			
18	XA3477021	NEEDLE BAR SUPPORTER STUD	1000002222	43	XD1220131	NEEDLE BAR ASSY N (LS-2125i, LS-2130, LX-3125, LX-3125e, LS-2150)	1000008671
19	X54369021	SPRING		44	X50532021	PRESSER PLATE	
20	X56851021	LOCK NUT					
21	XE3167001	NEEDLE BAR SUPPORTER GUIDE (LS-21**, 2020, 2720: KOR, SIN, ARG, PRY, LS-2820: SIN, VX-1435, JS-23, X-5, SL-7, LX-3125, LX-3125e)	1000008671				
	XA8380021	NEEDLE BAR SUPPORTER GUIDE (OTHER)					
22	XA1289121	NEEDLE BAR CRANK ROD ASSY					
23	XA1113221	NEEDLE BAR CRANK	1000001814				
24	132051022	SCREW, FLAT SM3.57-40X7 L					
25	XA3954121	ZIGZAG NEEDLE PLATE	1000011532				
26	X50487021	SCREW M4	1000010447				



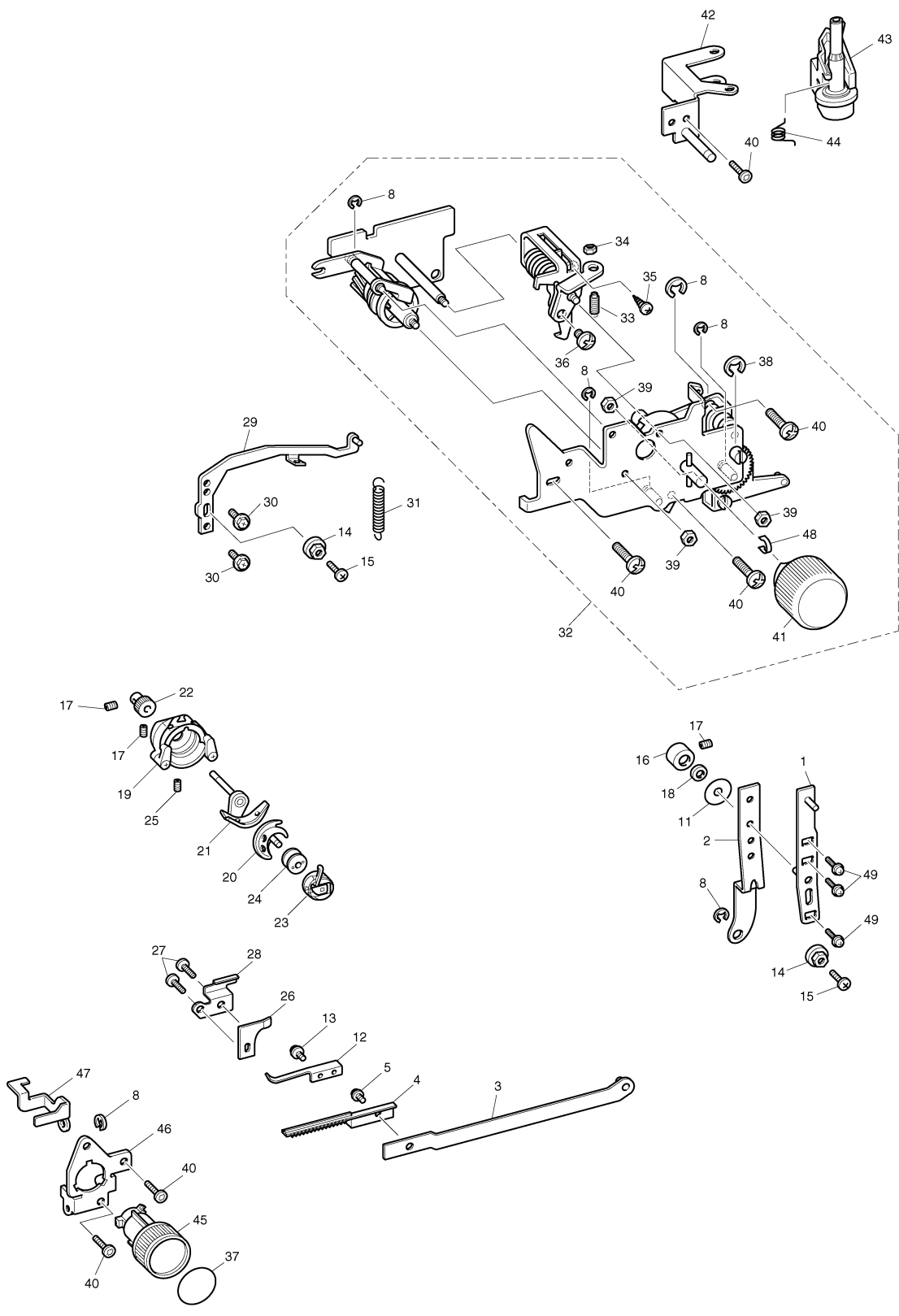
(3) FEED MECHANISM

No.	CODE	NAME	REMARKS	No.	CODE	NAME	REMARKS
1	XA0978021	FEED CONNECTING ROD ASSY		41	0A5300606	SCREW PAN (S/P WASHER) M3X6	1000011101
2	XA0980021	SPRING		42	XC0376021	REVERSE BUTTON HOLDER B ASSY	
3	XA0982020	HORIZONTAL FEED SHAFT		43	XA4533021	REVERSE SEWING LEVER PLATE C	
4	XA0983121	HORIZONTAL FEED ARM ASSEMBLY		44	X59905051	SPRING	
5	021400205	NUT 2 M4		45	048040346	RETAINING RING E4	1000001452
6	060401416	SCREW BIND M4X14		46	XA1004120	REVERSE SEWING SHAFT	
7	X53330020	WASHER		47	XA9976021	REVERSE SEWING BUTTON (OTHER)	
8	048050346	RETAINING RING E5	1000001452		XE2219001	REVERSE SEWING BUTTON (LS-2130, LX-3125, LX-3125e)	1000008671
9	XA0987021	HORIZONTAL FEED PLATE		48	XA4534021	STOP PLATE L	
10	XA0988021	FEED STAND SHAFT		49	XA4532121	REVERSE SEWING LEVER PLATE A	
11	XA3960021	FEED STAND		50	XA4568021	SPRING	
12	048030346	RETAINING RING E3	1000001452	51	138172021	SCREW, PAN (S/P WASHER) M4X10	1000017555
13	146200021	RETAINING RING, CS4					
14	XA4430021	FEED DOG					
15	060300416	SCREW BIND M3X4					
16	060400816	SCREW BIND M4X8	1000017555				
17	XA3474021	DUST PROTECT PLATE					
18	XA4042120	FEED STAND SUPPORT					
19	025040133	WASHER, PLAIN S 4	1000017555				
20	XA1082021	TAPER POINT STUD R (LS-21**, VX-1435, JS-23, X-5, SL-7, LX-3125, LX-3125e)	1000008671				
	XA1082051	TAPER POINT STUD R (OTHER)					
21	XZ0074021	TAPTITE, CUP S M4X16	060158				
22	XA0991021	SPRING					
23	X55472021	TAPER POINT STUD L ASSEMBLY	1000008671				
24	062400416	SCREW, PAN M4X4					
25	XA0649021	TAPTITE, CUP S M4 x 14					
26	X56613021	SPRING					
27	XA4692021	SPRING					
28	XA3480021	VERTICAL FEED ARM					
29	XA3481021	VERTICAL FEED ADJUSTER					
30	XA0995121	VERTICAL FEED SHAFT	050091				
31	048060346	RETAINING RING E6	1000001452				
32	X50559020	ZIGZAG ADJUSTING NUT					
33	062300806	SCREW PAN M3X8					
34	060400516	SCREW BIND M4X5					
35	XA0030021	FEED SQUARE BLOCK					
36	XA0996020	FEED REGULATOR					
37	XA0997020	FEED REGULATOR SHAFT					
38	XA4675021	SPRING	050091				
39	XA9169021	FEED REGULATOR PLATE					
40	XA1002020	REVERSE SEWING REGULATOR SHAFT					



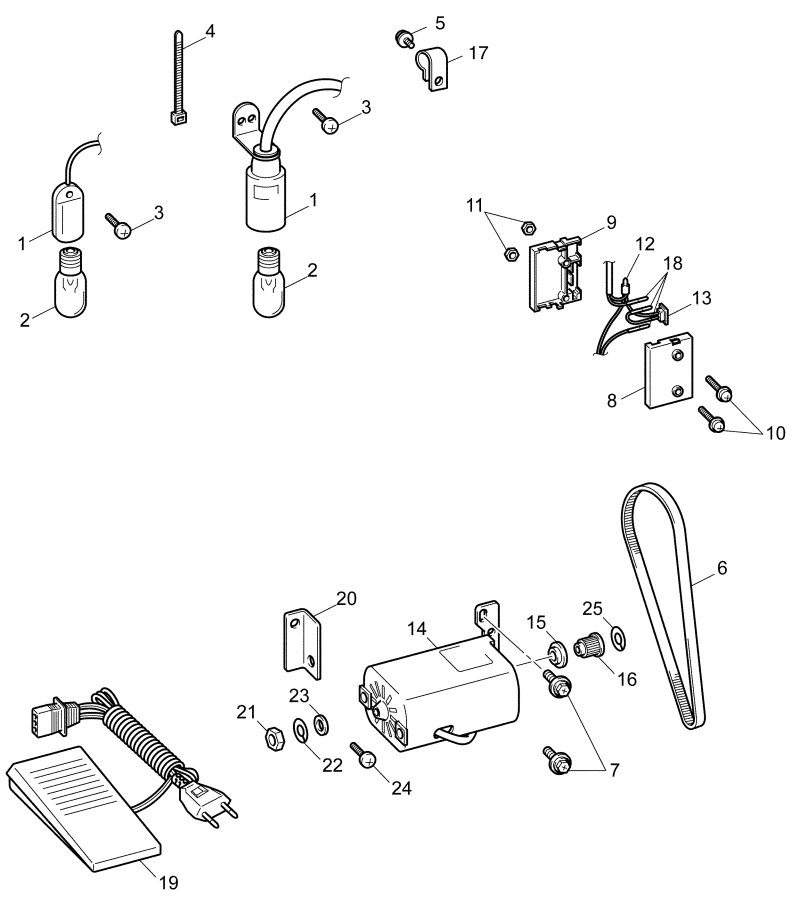
(4) PATTERN SELECTION, SHUTTLE HOOK AND UPPER TENSION

No.	CODE	NAME	REMARKS	No.	CODE	NAME	REMARKS
1	XA4693121	CAM DRIVE CONNECTING ROD A		41	XC0369022	SELECTING DIAL (LS-2125: USA, CAN, ARG, CHL, TWN, GUF, Latin America (2&5), 2129, 2125i, 2130, 2125b, LS-2720: ARG, PRY, LS-2150: AUS)	
2	XA1012221	CAM DRIVE CONNECTING ROD B		42	XA7986021	BOBBIN WINDER HOLDER SUB ASSY	
3	XA1014021	CAM DRIVE ROD C SUB ASSY		43	XA1049021	BOBBIN WINDER SPINDLE ASSEMBLY	
4	XA1017120	RACK		44	X59939021	BOBBIN WINDER SPRING	
5	XC7564021	SCREW, PAN (S/P WASHER) M3X6	1000008671	45	XE3453001	UPPER TENSION CONTROL DIAL	1000009051
6	XA3439021	SPRING	DEL	46	XA4426021	TENSION CONTROL HOLDER ASSY	
7	446200054	STOP RING	DEL	47	XA1058021	UPPER TENSION CONTROL RELEASER	
8	048040346	RETAINING RING E4	1000001452	48	XC0549020	DIAL HOLD PLATE	
9	060400846	SCREW	1000005128	49	XA6907021	SCREW 4X8	1000005128
10	XA6909021	TOOTHED WASHER	1000005128				
11	131976020	WASHER, THRUST					
12	XA1019021	RACK PLATE SPRING					
13	XA8290021	TAPTITE, BIND S M4 x 8					
14	X50559020	ZIGZAG ADJUSTING NUT					
15	062301006	SCREW PAN M3X10					
16	X52077121	COLLAR					
17	014400432	SET SCREW SOCKET (CP) M4X4					
18	X53330020	WASHER					
19	XA1317022	SHUTTLE RACE ASSEMBLY					
20	128581022	SHUTTLE HOOK					
21	XA1021021	SHUTTLE DRIVE ASSY					
22	XA1025021	DRIVER SHAFT GEAR					
23	128582023	BOBBIN CASE ASSEMBLY					
24	X52800120	BOBBIN					
25	014400632	SET SCREW SOCKET (CP) M4X6					
26	X57313121	RACK STOPPER					
27	X57908021	TAPTITE, BIND S M4X10					
28	XA5702021	RACK STOPPER A					
29	XA4483121	ZIGZAG CONNECTING ROD ASSY					
30	XA8474021	UPSET 4 x12 DB					
31	XA1529021	SPRING					
32	XC0363021	SELECTING UNIT ASSY					
33	XA1620051	ADJUSTING SCREW					
34	X56851021	LOCK NUT					
35	136681021	TAPTITE, BIND B M3X8	050091				
36	060400416	SCREW, BIND M4X4					
37	XA1255121	THREAD TENSION LABEL					
38	048050346	RETAINING RING E5	1000001452				
39	021400202	NUT 2 M4					
40	X57908021	TAPTITE, BIND S M4X10					
41	XC0369021	SELECTING DIAL (OTHER)					



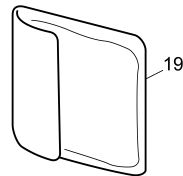
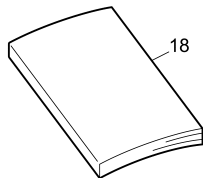
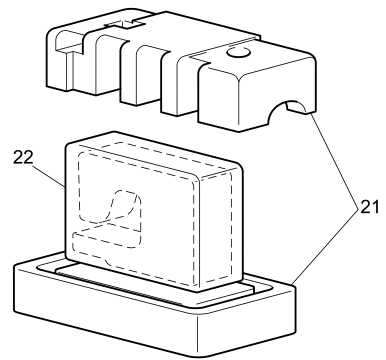
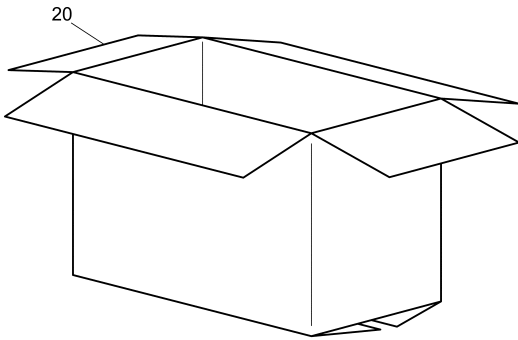
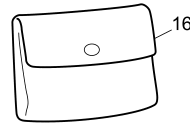
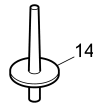
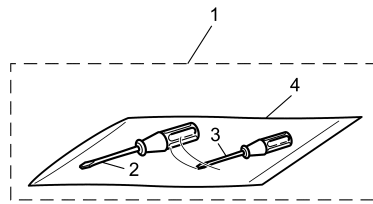
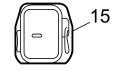
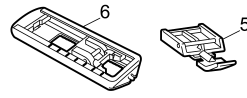
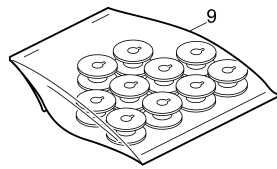
(5) LAMP AND MOTOR

No.	CODE	NAME	REMARKS	No.	CODE	NAME	REMARKS
LAMP				19	XE5369001	FOOT CONTROLLER: KD-1902 (LX-3125, LX-3125e)	ADD
1	XC6789021	ASSY: SEWING LAMP E12C#025 (USA, CAN, BRA120V, TWN)	060049		XC7456321	FOOT CONTROLLER: KD-2902UK (UK, IRE)	050086
	XA1064021	SEW-LIGHT ASSY (220-240V) (OTHER)			XE0629001	FOOT CONTROLLER: KD-2902AUS (AUS)	
2	X53061030	SEW-LIGHT BULB (100-120V)	1000013742		XD0112121	FOOT CONTROLLER: KD-2902IRAM (ARG)	1000008422
	205336030	SEW-LIGHT BULB L-4 (220-240V)	1000012695		XE3414001	FOOT CONTROLLER: KD-1902 BRZ (BRA120V)	1000004014
3	X57984021	TAPTITE, BIND S M3 x 20 (100-120V) (USA, CAN, BRA120V, TWN)			XE4302001	FOOT CONTROLLER: KD-2902 BRZ (BRA220V)	
	XA1623021	TAPTITE, BIND S M3 x 10 (220-240V) (OTHER)			XD0105021	FOOT CONTROLLER: KD-2902 CHN (CHN)	
4	X53169020	BAND (220-240V) (OTHER)	050245		XE3447001	FOOT CONTROLLER: KD-1902 TWN (TWN)	1000004114
5	X57908021	TAPTITE, BIND S M4 x 10	1000010046		XD0852021	FOOT CONTROLLER: KD-2902KOREA (KOR)	060085
MOTOR					XC7438321	FOOT CONTROLLER: KD-2902 (OTHER)	
6	XA1196021	T BELT B163XXL4.8		20	XE2842001	MOTOR SUPPORTER (USA, CAN, BRA120V, TWN)	1000002813
7	XA3004021	BOLT, (S/P WASHER) M5 x 12		21	021400205	NUT 2 M4 (USA, CAN, BRA120V, TWN)	1000002958
8	XA8786021	3P SOCKET BODY		22	028040242	WASHER SPRING 2-4 (USA, CAN, BRA120V, TWN)	
9	XA8787021	3P SOCKET COVER		23	102707023	WASHER (USA, CAN, BRA120V, TWN)	
10	052403006	SCREW, PAN (S/P WASHER) M4X30		24	XA8474021	UPSET 4X12 DB (USA, CAN, BRA120V, TWN)	1000002958
11	021400205	NUT 2 M4	1000002958				
12	214808020	CONNECTOR: #3		25	048060142	RETAINING RING EXTERNAL C6	1000015830
13	XA1070021	PW SWITCH ASSY (100-120V) (USA, CAN, BRA120V, TWN)					
	XA1073021	PW SWITCH ASSY (220-240V) (OTHER)					
14	XC7354221	MOTOR: HFA-07150 FDM (120V 60Hz)	1000015143				
	XC7599521	MOTOR: NS-70 FDM220V (ARG, CHL, CHN, PRY, Latin America (2&5))	1000015830				
	XD0851321	MOTOR: NS-70 FDM220V/60HZ (KOR, BRA220V)	1000015830				
	XE0730301	MOTOR: NS-70 FDM240V (AUS, MYS)	1000015830				
	XC7436421	MOTOR: NS-70 FDM230V (OTHER)	1000015830				
15	XA1265120	MOTOR T-PULLEY A					
16	XC7355021	MOTOR T-PULLEY B	050090				
17	XA7678051	CORD CLAMP (BRA120V, TWN)	1000009035				
	XA7678021	CORD CLAMP	1000008457				
18	138598021	SOCKET PIN	040105				
19	XC7359021	FOOT CONTROLLER: KD-1902 (USA, CAN)	060049				



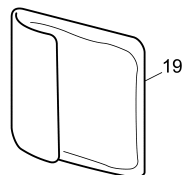
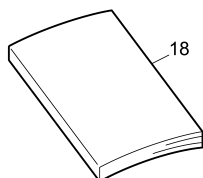
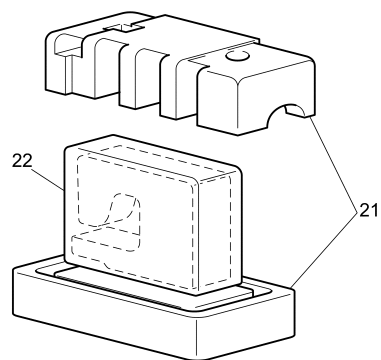
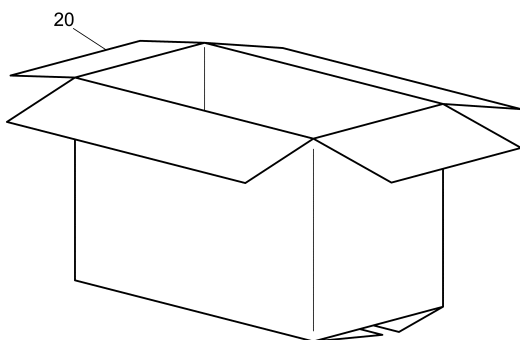
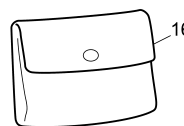
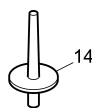
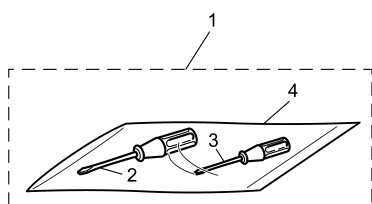
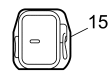
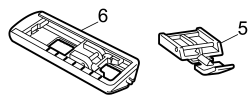
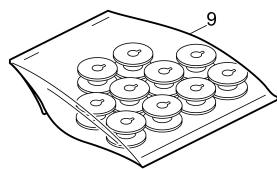
(6) OTHER PARTS

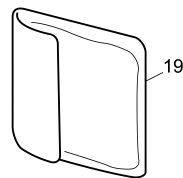
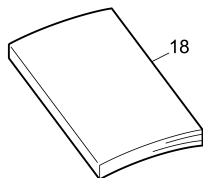
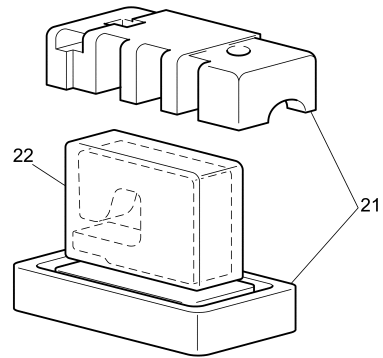
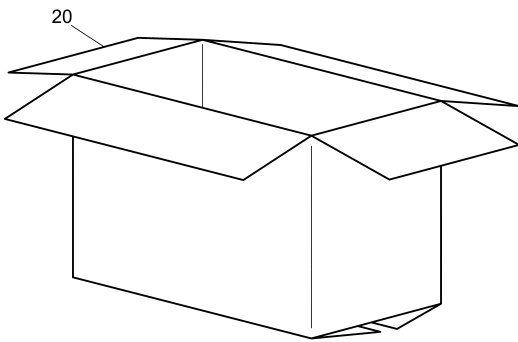
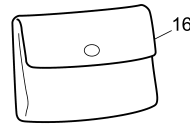
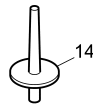
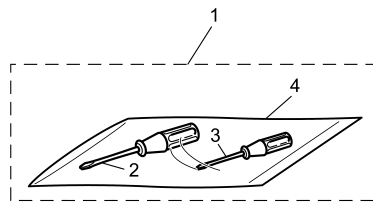
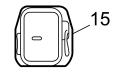
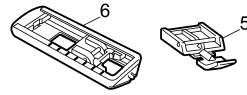
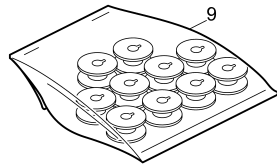
No.	CODE	NAME	REMARKS	No.	CODE	NAME	REMARKS
1	X55466021	SCREW DRIVER ASSY	ADD	18	194404012	INSTRUCTION BOOK (GER, FRA, HOL, AUS ITA, SWI) (EXCEPT: LS-2125: AUS)	
2	X55467021	SCREW DRIVER	ADD				
3	X55468021	SCREW DRIVER S	ADD				
4	XZ5071001	BAG 40X160	ADD		XE7583001	INSTRUCTION BOOK TC (TWN)	1000016242
5	X59370021	ZIPPER FOOT	040115		XE4544001	INSTRUCTION BOOK BR (BRA)	1000007560
6	X59369321	BUTTON HOLE FOOT ASSY	040115		XE4762001	INSTRUCTION BOOK EEU (LS-2125: EEU)	1000007823
7	XE2137001	BUTTON SEWING FOOT	1000001059		XE4763001	INSTRUCTION BOOK EEU (LS-2125: EEU)	1000007823
8	X54243004	SEAM RIPPER	DEL		XE2346101	INSTRUCTION BOOK (LS-2130, LX-3125, LX-3125e)	1000011170
9	X52800120	BOBBIN			XE5682001	INSTRUCTION BOOK TUR	1000010619
10	X55465054	OILER	DEL		XE4953001	MYLAR INSTRUCTION ASSY ENG (LS-2125i: USA)	1000008043
11	129583021	NEEDLE SET (3PCS) (OTHER)			XE4954001	MYLAR INSTRUCTION ASSY SPA (LS-2125i: USA)	1000008043
	XE5328001	NEEDLE SET (3PCS) (LX-3125, LX-3125e)	1000008671		XE4592001	INSTRUCTION BOOK ENG (LS-2150: AUS)	1000015026
12	X57521021	NEEDLE PACKAGE (1PCE) (EXCEPT: USA, CAN, BRA120V, TWN)			XC0380021	WARRANTY CARD (USA, GUF, Latin America (2&5))	
13	X58604004	NEEDLE SET (KOREA)	DEL		LA1664004	WARRANTY CARD EURO-CH (UK, IRE, GER, FRA, HOL, POR, ITA, SWI, DEN, EEU, CHE)	1000017862
14	130920021	EXTRA SPOOL PIN (EXCEPT: LX-3125, LX-3125e)			XC6402024	WARRANTY CARD (UK)	1000017862
15	XA3442121	FEED DOG COVER			XE2010001	WARRANTY CARD BROTHER CANADA (CAN)	1000001038
16	XC4487021	ACCESSORY BAG (EXCEPT: LS-2125i, LX-3125, LX-3125e)			XE5572004	WARRANTY CARD BROTHER-RUS (RUS)	1000017862
17	XA5774054	SCISSORS	DEL		XE5652001	WARRANTY CARD BROTHER ARG (ARG, PRY)	1000011223
	X59371021	NARROW HEMMER FOOT (LS-1520: USA, LS-2125b, LS-2129, LS-2160: IND)	040115	XE4548001	WARRANTY CARD BR HSM (BRA)	1000007560	
	X59372021	BLIND STITCH FOOT (LS-1520: USA, LS-2125b)	040115	LW313500	CEE WARRANTY CARD (EEU)	1000016851	
	XA3805021	1/4' QUILTING FOOT (LS-2129, LS-2125b)		XD1328021	WARRANTY CARD CHINA (CHN)	050203	
18	XE1129001	INSTRUCTION BOOK (LS-1520, 2125: UK, SPA, EEU, AUS, SIN, FIN, MYS, LS-2020, 2720: USA, CAN, IRE, UK, POR, RUS, SIN, LS-2725, 2820: SIN, LS-2920: SPA, LS-2160: SIN, IND, VX-1435, X-5: SPA, FIN, JS-23: UK, FIN, SL-7: FIN)	1000009864	XE5640404	WARRANTY CARD 2YEARS ITA (ITA)	1000017862	
	XE0529001	INSTRUCTION BOOK (EEU)	060052	XE5609404	WARRANTY CARD 5YEARS ITA (ITA)	1000017862	
	XC6790121	INSTRUCTION BOOK (LS-2125: USA, CAN, ARG, CHL, GUF, Latin America (2&5), LS-2125b, 2129, LS-2720: ARG, PRY)	050285	19	XA2112022	DUST COVER ASSY (EXCEPT: USA, CAN, ARG, PRY) (LS-2720, 2820, 2920, 2020, 2725, 2825)	
	194404013	INSTRUCTION BOOK (CHN)		130800021	BAG 230X310H (EXCEPT: LS-2720: KOR)	1000011228	
	XC7075021	INSTRUCTION BOOK (DEN)	050197	XA7201021	USER'S MANUAL (LS-1520: USA, LS-2125b)	040105	
	XD1215121	INSTRUCTION BOOK (RUS, X-5: UK) (EXCEPT: LS-2720: RUS)	050281	XC2067121	USER'S MANUAL (LS-2129, LS-2125b)	060039	
	XE1335001	INSTRUCTION BOOK (FIN)	060131	XA8545221	QUICK REFERENCE GUIDE (LS-2125: USA, ARG, CHL, TWN, GUF, Latin America (2&5), LS-2720: USA, CAN, ARG, PRY, LS-1520, LS2125b, LS-2125i, VX-1435, LS-2130)	1000015640	
				XE4594001	QUICK REFERENCE GUIDE (LS-2125i: USA)	1000008043	



(6) OTHER PARTS

No.	CODE	NAME	REMARKS	No.	CODE	NAME	REMARKS
	XE5240201	QUICK REFERENCE GUIDE (LX-3125, LX-3125e)	1000017165	20	XD0834023	COLOR CARTON (LS-2125: FRA, ITA, EEU)	050218
	XE4764001	QUICK REFERENCE GUIDE (EEU) (Cesko)			XE7609001	COLOR CARTON MODEL: LS-2125 (LS-2125: UK, ESP, FIN, MYS, AUS, SGP, UAE, TUR)	1000016337
	XE4765001	QUICK REFERENCE GUIDE (EEU) (Hungary)			XE6110001	COLOR CARTON (LS-2125i: USA)	1000012623
	XE4766001	QUICK REFERENCE GUIDE (EEU) (Poland)			XE3903001	COLOR CARTON (LS-2125i: BRA)	1000006416
	XE4767001	QUICK REFERENCE GUIDE (EEU) (Romania)			XD0834025	COLOR CARTON (LS-2125b)	
	XE4768001	QUICK REFERENCE GUIDE (EEU) (Bulgaria)			XE7273001	COLOR CARTON MODEL: LS-2129 (LS-2129)	1000015005
	XC6911021	ACCINFO SHEET (USA, CAN) (LS-2125, 2129, 2125i, 2130, 2125b)	1000001713		XE2463001	COLOR CARTON (LS-2130)	1000008671
	XC1885021	MANUAL (LS-1520: USA, LS-2129, LS-2125b, LS-2160: IND)			XE6112001	COLOR CARTON (LX-3125)	1000012623
	XC2127021	MANUAL (FIN)			XE7603101	COLOR CARTON (LX-3125e)	1000017501
	XC2128021	MANUAL (FIN)			XE3660001	COLOR CARTON (LS-2150: OTHER)	1000005185
	XE6623001	INSERTION (LS-2125, LS-2129: CAN)	1000014468		XE3268001	COLOR CARTON (X-5: ITA, FIN)	1000005722
	XD0256121	INSERTION WEEE (EUROPE, AUS) (EXCEPT: RUS, LS-2920: SPA, LS-2125: AUS, LS-2150: AUS)			X61674046	CARTON (X-5: UK)	
	XE4888001	NOT RETURN INSERTION SHEET (LS-2125i: USA)	1000008043		X61674048	CARTON (X-5: SPA)	
	XE6308001	INNOV-IS RANGE PROMOTION DVD (EUROPE: LS-2125, JS-23, X-5, SL-7)	1000013646		X61674044	CARTON (X-5: RUS)	1000003775
	XE5844101	INSTRUCTION DVD NTSC ASSY (LX-3125, LX-3125e)	1000014594		XE6111001	COLOR CARTON (VX-1435: USA)	
	XE6078001	INSTRUCTION DVD PAL ASSY (XL2125: MYS, SGP, UAE, AUS, TUR, XL2160: MYS, SGP, AUS, IND, TUR)	1000017606		XD0834027	COLOR CARTON (JS-23: ITA, SWI)	
20	X60360037	COLOR CARTON (LS-2720: USA, CAN)			XE7608001	COLOR CARTON MODEL: JS-23 (JS-23: UK, ESP, FIN)	1000016337
	X61211046	CARTON (LS-2720: EUROPE)			XE3427001	COLOR CARTON (TWN)	1000004114
	X61674032	CARTON (LS-2720: SIN)			X61674043	CARTON (SL-7: ITA, FIN)	
	XE5623001	COLOR CARTON (LS-2720: KOR)	1000010299		X61674045	CARTON (SL-7: RUS)	1000003775
	X61674039	CARTON (LS-2720: CHN)			XE5159001	COLOR CARTON (LS-2160: AUS, SIN, TWN, MYS, TUR, IND)	1000009861
	X61674035	CARTON (LS-2725)			XE7265001	COLOR CARTON MODEL: LS-2150 (LS-2150: AUS)	1000015026
	X61674022	CARTON (LS-2820: FRA, AUS)			XE7507001	COLOR CARTON MODEL: LS-2125 (LS-2125: RUS)	1000016337
	X61674029	CARTON (LS-2820: SIN)			XE7506001	COLOR CARTON MODEL: JS-23 (JS-23: RUS)	1000016337
	X61674037	CARTON (LS-2825)			XE7508001	COLOR CARTON MODEL: LS-2150 (LS-2150: RUS)	1000016341
	X61674027	CARTON (LS-2920)		21	X61509220	403SF ASSY (EXCEPT: LS-2720: KOR, LS-2130, LX-3125, LX-3125e)	1000014516
	X60360074	COLOR CARTON (LS-1520: USA)			XE2342101	PS FOAM PAD ASSY 407 (LS-2130, LX-3125, LX-3125e)	1000014516
	X60360039	COLOR CARTON (LS-1520: CAN)			XE5613001	MOLD PAD TOP (LS2720: KOR)	1000010299
	X61674034	CARTON (LS-2020)			XE5614001	MOLD PAD BOTTOM (LS2720: KOR)	1000010299
	X60360046	COLOR CARTON (LS-2125: USA, CAN)		22	X60439121	BAG 630X630T	1000013192
	XE6543001	COLOR CARTON (LS-2125: CAN)	1000014048				
	X61674041	CARTON (LS-2125: ARG, CHL, GUF, Latin America (2&5), LS-2720: OTHER)					





brother®

LS-2720/2820/2920/2725/2825/1520/2129/2125/2125b/2125i/2130/2150/2160
SL-7/JS-23/VX-1435/X-5/LX-3125/LX-3125e
HF885405/407

12. 2003.
03. 2010.