



**Home Sewing Machine**

**PARTS REFERENCE LIST**

**MODEL: XL2600i/XL3500i/XL3600/XL3750  
BM3600/BM2700  
COMFORT 25A/COMFORT 35A  
L30/L40/XL3750FS/LS590  
HQ33**

**MECHANISMS & ELECTRONICS**

# CONTENTS

|   |    |
|---|----|
| (1) PRINCIPAL PARTS.....                                      | 2  |
| (2) UPPER SHAFT / NEEDLE BAR, PRESSER<br>MECHANISM.....       | 4  |
| (3) FEED / FEED ADJUSTMENT MECHANISM .....                    | 6  |
| (4) ZIGZAG / BH / PATTERN SELECTION MECHANISM.....            | 8  |
| (5) BOBBIN WINDER / THREAD GUIDE MECHANISM .....              | 10 |
| (6) LAMP MECHANISM / MOTOR UNIT .....                         | 12 |
| (7) ATTACHMENTS / PRINTED MATTER / PACKING<br>MATERIALS ..... | 14 |

**Note on parts:**

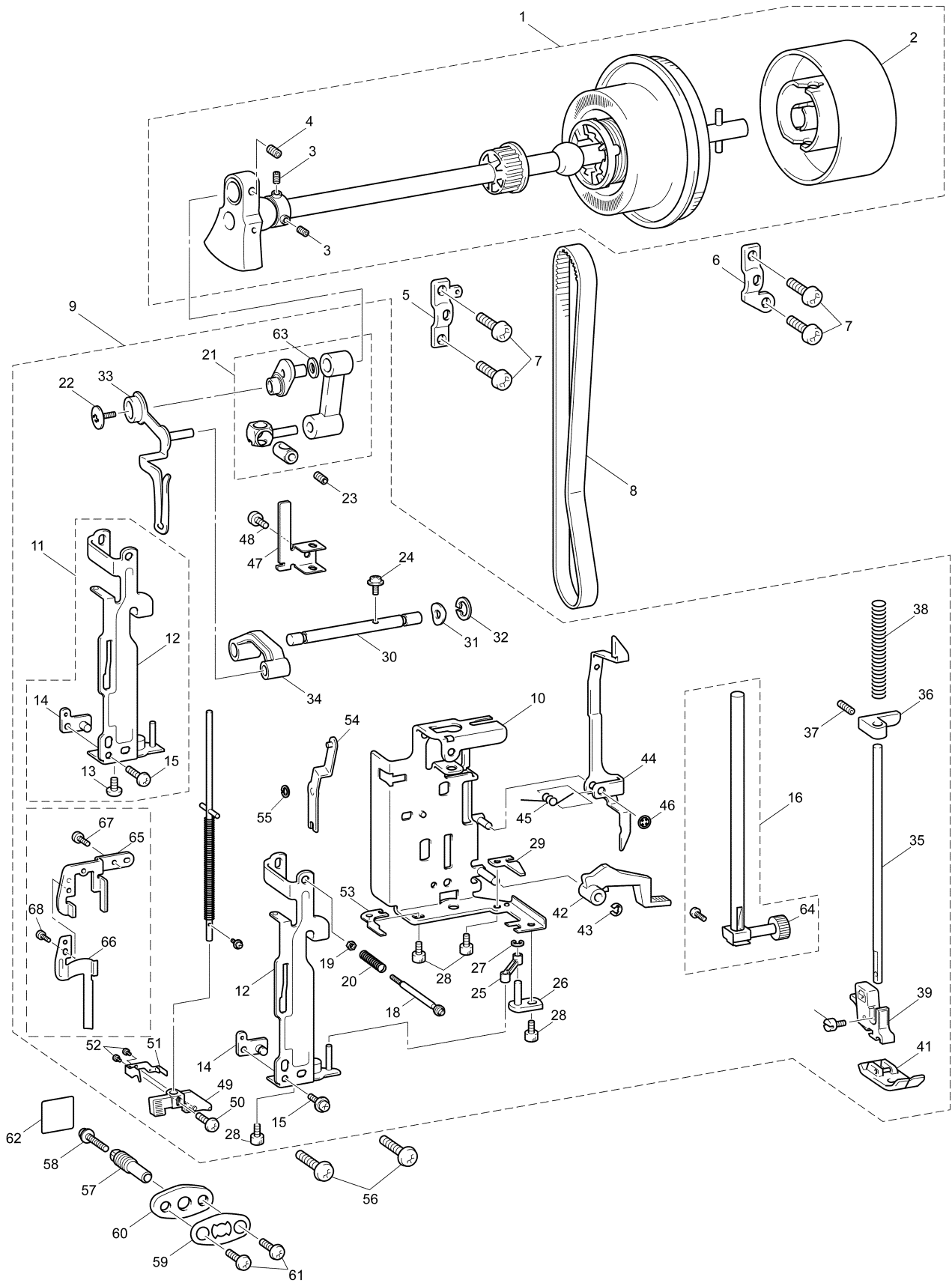
We keep performance parts for this sewing machine for at least 8 years after this model is discontinued. Performance parts are the necessary parts to maintain the function of the sewing machine.



## (1) PRINCIPAL PARTS

| No. | CODE      | NAME                                     | REMARKS    | No. | CODE      | NAME   | REMARKS |
|-----|-----------|--|------------|-----|-----------|--|---------|
| 1   | XC4846021 | THREAD GUIDE ASSY                        |            | 20  | XC4855021 | CUTTER COVER ASSY  |         |
| 2   | 085411416 | TAPTITE BIND B M4X14                     |            | 21  | X80321021 | NT LOWER THREAD CUTTER   |         |
| 3   | 188058121 | SPOOL PIN                                |            | 22  | 138384021 | RETAINING RING, CS5  |         |
| 4   | XA0628121 | SPOOL PIN SPRING                         | 1000012088 | 23  | XZ5031001 | TAPTITE PAN P (S/P W) 3 x 12   | 060058  |
| 5   | XA8851021 | SPOOL PIN STAND                          |            | 24  | XC6057020 | GUARD PLATE  |         |
| 6   | XC4481121 | BOBBIN PRESSER                           |            | 25  | XA3337022 | TAPTITE, CUP P M4 x 20   |         |
| 7   | XZ5031001 | TAPTITE PAN P (S/P W) 3 x 12             | 060058     | 26  | XC4857021 | BASE COVER   |         |
| 8   | 138337022 | RUBBER CUSHION A                         |            | 27  | 084310815 | TAPTITE FLAT B M3 x 8  |         |
| 9   | 026350235 | WASHER, PLAIN M 3.5                      |            | 28  | XC4858021 | ACCESSORY TABLE  |         |
| 10  | 083361216 | TAPTITE, PAN B M3.5 x 12                 |            | 29  | XC8981121 | NEEDLE PLATE B ASSY (XL****, LS590)  |         |
| 11  | XC4077021 | BASE PLATE RUBBER                        |            |     | XC9849221 | NEEDLE PLATE B ASSY<br>(BM****, COMFORT 25A, 35A, L30, L40,<br>XL3750: CHILE, HQ33)    |         |
| 12  | XD1673030 | FRONT COVER ASSY (XL2600i)               | 1000000181 | 30  | XC4860121 | NEEDLE PLATE B (XL****, LS590)   |         |
|     | XD1673021 | FRONT COVER ASSY (XL3500i)               |            |     | XC3521221 | NEEDLE PLATE B<br>(BM****, COMFORT 25A, 35A, L30, L40,<br>XL3750: CHILE, HQ33)         |         |
|     | XD1673022 | FRONT COVER ASSY (XL3600)                |            | 31  | XC7371021 | SLIDE BUTTON   |         |
|     | XD1673023 | FRONT COVER ASSY (BM3600)                |            | 32  | XC2367021 | CUTTER COVER<br>(BM****, COMFORT 25A, 35A, L30, L40,<br>XL3750: CHILE)                 |         |
|     | XD1673025 | FRONT COVER ASSY (BM2700)                |            | 33  | XC2368021 | SPRING PLATE   |         |
|     | XD1673029 | FRONT COVER ASSY (COMFORT 25A)           | ADD        | 34  | X80321021 | NT LOWER THREAD CUTTER<br>(BM****, COMFORT 25A, 35A, L30, L40,<br>XL3750: CHILE, HQ33) |         |
|     | XD1673028 | FRONT COVER ASSY (COMFORT 35A)           | ADD        | 35  | XD1648021 | NEEDLE PLATE COVER SUPPLY ASSY   |         |
|     | XD1673027 | FRONT COVER ASSY (L30)                   | ADD        | 36  | 085411416 | TAPTITE BIND B M4X14   |         |
|     | XD1673026 | FRONT COVER ASSY (L40)                   | ADD        |     |           |  |         |
|     | XD1673031 | FRONT COVER ASSY (XL3750, 3750FS)        | 1000001599 |     |           |  |         |
|     | XD1673032 | FRONT COVER ASSY (LS590)                 | 1000008128 |     |           |  |         |
|     | XD1673033 | FRONT COVER ASSY (HQ33)                  | 1000016440 |     |           |  |         |
| 13  | XD1675030 | STITCH PATTERN SHEET (XL2600i)           | 1000000181 |     |           |  |         |
|     | XD1675021 | STITCH PATTERN SHEET (XL3500i)           |            |     |           |  |         |
|     | XD1675022 | STITCH PATTERN SHEET (XL3600)            |            |     |           |  |         |
|     | XD1675023 | STITCH PATTERN SHEET (BM3600)            |            |     |           |  |         |
|     | XD1675025 | STITCH PATTERN SHEET (BM2700)            |            |     |           |  |         |
|     | XD1675029 | STITCH PATTERN SHEET<br>(COMFORT 25A)    | ADD        |     |           |  |         |
|     | XD1675028 | STITCH PATTERN SHEET<br>(COMFORT 35A)    | ADD        |     |           |  |         |
|     | XD1675027 | STITCH PATTERN SHEET (L30)               | ADD        |     |           |  |         |
|     | XD1675026 | STITCH PATTERN SHEET (L40)               | ADD        |     |           |  |         |
|     | XD1675031 | STITCH PATTERN SHEET<br>(XL3750, 3750FS) | 1000001599 |     |           |  |         |
|     | XD1675032 | STITCH PATTERN SHEET (LS590)             | 1000008128 |     |           |  |         |
|     | XD1675033 | STITCH PATTERN SHEET (HQ33)              | 1000016440 |     |           |  |         |
| 14  | XC4077021 | BASE PLATE RUBBER                        |            |     |           |  |         |
| 15  | X53625121 | UPPER COVER THREAD GUIDE                 |            |     |           |  |         |
| 16  | XA7769021 | CUSHION                                  |            |     |           |  |         |
| 17  | XZ5049001 | GIZA TITE (S/P W) 5X18                   | 1000003021 |     |           |  |         |
| 18  | XC6304021 | GIZA TITE (S/P W) 3 x 25                 |            |     |           |  |         |
| 19  | XC4854121 | FACE PLATE                               | 1000012289 |     |           |  |         |

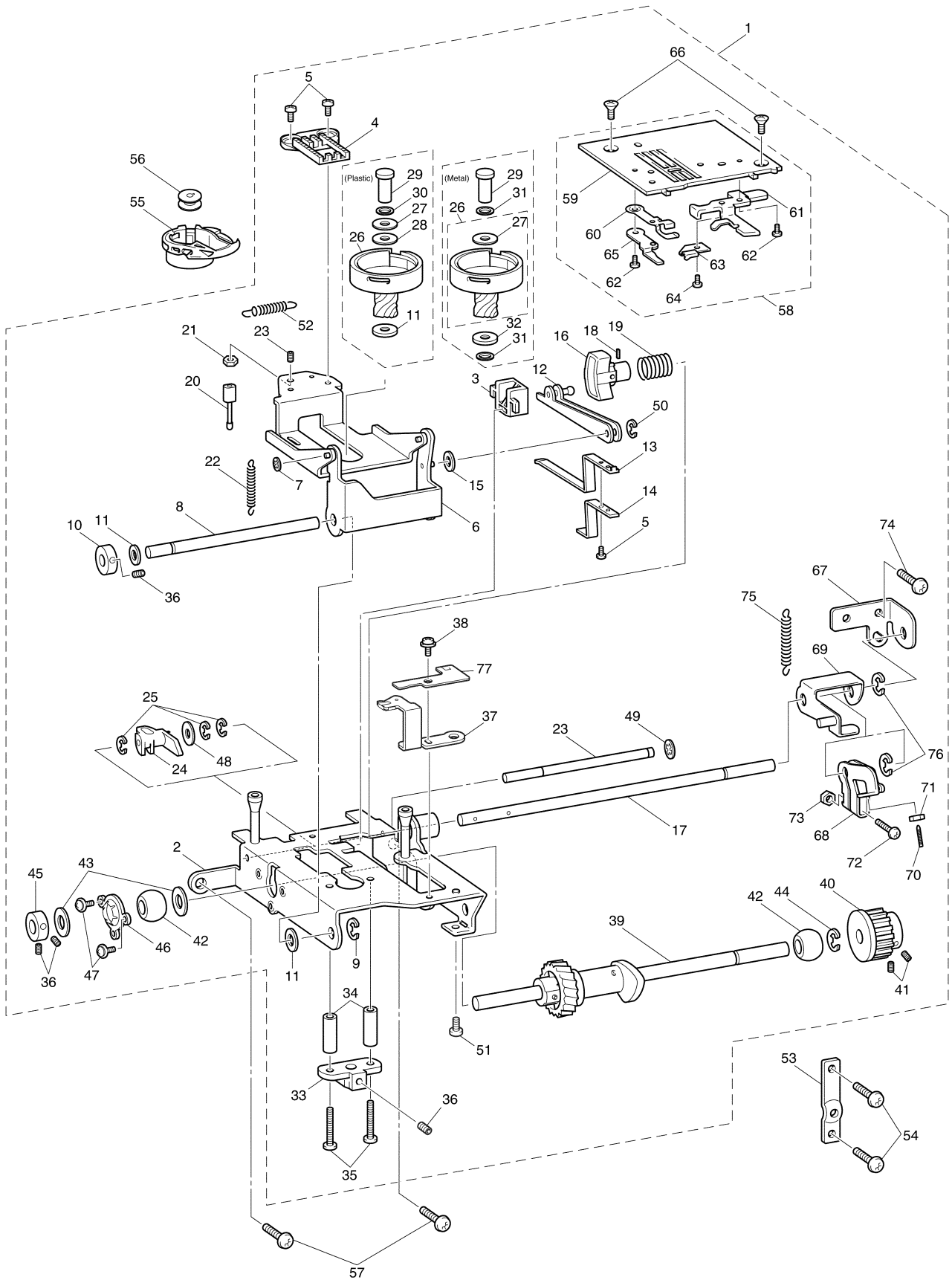
## (2) UPPER SHAFT / NEEDLE BAR, PRESSER MECHANISM



## (2) UPPER SHAFT / NEEDLE BAR, PRESSER MECHANISM

| No.                           | CODE                 | NAME                                      | REMARKS        | No. | CODE      | NAME  | REMARKS    |
|-------------------------------|----------------------|---|----------------|-----|-----------|---|------------|
| UPPER SHAFT MECHANISM         |                      |   |                | 39  | XC3015031 | PRESSER FEED HOLDER ASSY  |            |
| 1                             | XD1677021            | UPPER SHAFT ASSY                          |                | 40  | 132730122 | TIGHTENING SCREW 3.57   |            |
| 2                             | XC3529021            | PULLEY                                    |                | 41  | XC4901021 | ZIGZAG PRESSER FOOT   |            |
| 3                             | 014400432            | SET SCREW, SOCKET (CP) M4 x 4             |                | 42  | XC4902021 | PRESSER FOOT LIFTER   |            |
| 4                             | 012500532            | SET SCREW, SOCKET (FT) M5 x 5             |                | 43  | 048040346 | RETAINING RING, E4  | 1000001452 |
| 5                             | XC3534121            | UPPER SHAFT BEARING PRESSER               |                | 44  | XC4903020 | THREAD RELEASE LEVER  |            |
| 6                             | XD1678021            | UPPER SHAFT BEARING PRESSER               |                | 45  | XC4904121 | SPRING  |            |
| 7                             | XC3496021            | GIZA TITE 5 x 16                          |                | 46  | 146200021 | RETAINING RING, CS4   |            |
| 8                             | XC4869021            | T BELT 420-5GT-6                          |                | 47  | XC6564020 | THREAD POSITIONING PLATE<br>(EXCEPT: XL3600)  |            |
| NEEDLE BAR, PRESSER MECHANISM |                      |   |                | 48  | 060260406 | SCREW, BIND M2.6 x 4<br>(EXCEPT: XL3600)  |            |
| 9                             | XD1852121            | NEEDLE-PRESSER MODULE<br>(EXCEPT: XL3600) | 060088         | 49  | XC6566121 | NEEDLE THREADING LEVER<br>(EXCEPT: XL3600)  |            |
|                               | XD1862121            | NEEDLE-PRESSER MODULE (XL3600)            | 060088         | 50  | 0A5260606 | SCREW, PAN (S/P WASHER) M2.6 x 6<br>(EXCEPT: XL3600)  |            |
| 10                            | XC4875221            | BASE HOLDER ASSY                          |                | 51  | XA0445251 | THREADER HOOK ASSEMBLY<br>(EXCEPT: XL3600)  |            |
| 11                            | XC6559021            | NEEDLE HOLDER ASSY<br>(EXCEPT: XL3600)    |                | 52  | 037200516 | TAPPING SCREW, PAN V M2 x 5<br>(EXCEPT: XL3600)   |            |
| 12                            | XC4880121            | NEEDLE HOLDER SUB ASSY                    |                | 53  | XC7525121 | NEEDLE HOLDER STOPPER   |            |
| 13                            | 018300636            | BOLT SOCKET M3 x 6                        |                | 54  | XD1691021 | BH CONNECTING ROD A ASSY  |            |
| 14                            | XC4888021            | ZIGZAG ADJUST PLATE ASSY                  |                | 55  | 048030346 | RETAINING RING E3   | 1000001452 |
| 15                            | XC7564021            | SCREW, PAN (S/P WASHER) M3 x 6            | 1000008646     | 56  | XC4961021 | GIZA TITE 5 x 20  |            |
| 16                            | XD1219131            | NEEDLE BAR ASSY N                         | 060088         | 57  | XC4905121 | ADJUSTING SCREW   |            |
| 17                            | <del>X58913024</del> | <del>BIND 2X3</del>                       | <del>DEL</del> | 58  | 060302506 | SCREW BIND M3X25  |            |
| 18                            | XC4884021            | NEEDLE HOLDER SHAFT                       |                | 59  | XC6056120 | PLATE SPRING  |            |
| 19                            | X56851021            | LOCK NUT                                  |                | 60  | XC4906020 | ADJUSTING PLATE   |            |
| 20                            | XC4885021            | SPRING                                    |                | 61  | 085411416 | TAPTITE, BIND B M4 x 14   |            |
| 21                            | XC6562131            | NEEDLE BAR CRANK ROD ASSY                 | 060084         | 62  | XC4907021 | LABEL   |            |
| 22                            | 132051022            | SCREW, FLAT SM3.57-40 x 7 L               |                | 63  | X53330020 | WASHER  | 1000006655 |
| 23                            | 012400432            | SET SCREW SOCKET (FT) M4 x 4              |                | 64  | XC8563031 | NEEDLE CLAMP SCREW  | 1000002936 |
| 24                            | XC3338021            | SCREW 3X8                                 |                | 65  | XD1791121 | LAMP HOLDER 120V<br>(XL2600i: U.S.A., BRA, XL3500i, 3750,<br>LS590, BM2700, 3600: U.S.A.)   | 1000007202 |
| 25                            | XC4963020            | NEEDLE BAR SUPPORTER ARM                  |                | 66  | XD1971021 | GUARD PLATE<br>(XL2600i: U.S.A., BRA, XL3500i, 3750,<br>LS590, BM2700, 3600: U.S.A.)        | 1000007202 |
| 27                            | 048020346            | RETAINING RING E2                         | 1000001452     | 67  | 060400616 | SCREW, BIND M4 x 6<br>(XL2600i: U.S.A., BRA, XL3500i, 3750,<br>LS590, BM2700, 3600: U.S.A.) | 1000007202 |
| 28                            | 018300636            | BOLT SOCKET M3 x 6                        |                | 68  | 060300416 | SCREW BIND M3X4<br>(XL2600i: U.S.A., BRA, XL3500i, 3750,<br>LS590, BM2700, 3600: U.S.A.)    | 1000007202 |
| 29                            | XC4894021            | STOPPER                                   |                |     |           |   |            |
| 30                            | XC4895021            | SHAFT                                     |                |     |           |   |            |
| 31                            | XZ5030001            | WASHER, SPRING                            | 060059         |     |           |   |            |
| 32                            | 048050346            | RETAINING RING E5                         | 1000001452     |     |           |   |            |
| 33                            | XC8564031            | THREAD TAKE-UP LEVER                      |                |     |           |   |            |
| 34                            | XC4897020            | THREAD TAKE-UP LEVER LINK                 |                |     |           |   |            |
| 35                            | XC6565121            | PRESSER BAR (EXCEPT: XL3600)              |                |     |           |   |            |
|                               | XC4898021            | PRESSER BAR (XL3600)                      |                |     |           |   |            |
| 36                            | XC4899121            | PRESSER BAR CLAMP                         |                |     |           |   |            |
| 37                            | XC7207021            | SCREW STUD M5                             |                |     |           |   |            |
| 38                            | XC4900021            | SPRING                                    |                |     |           |   |            |

### (3) FEED / FEED ADJUSTMENT MECHANISM

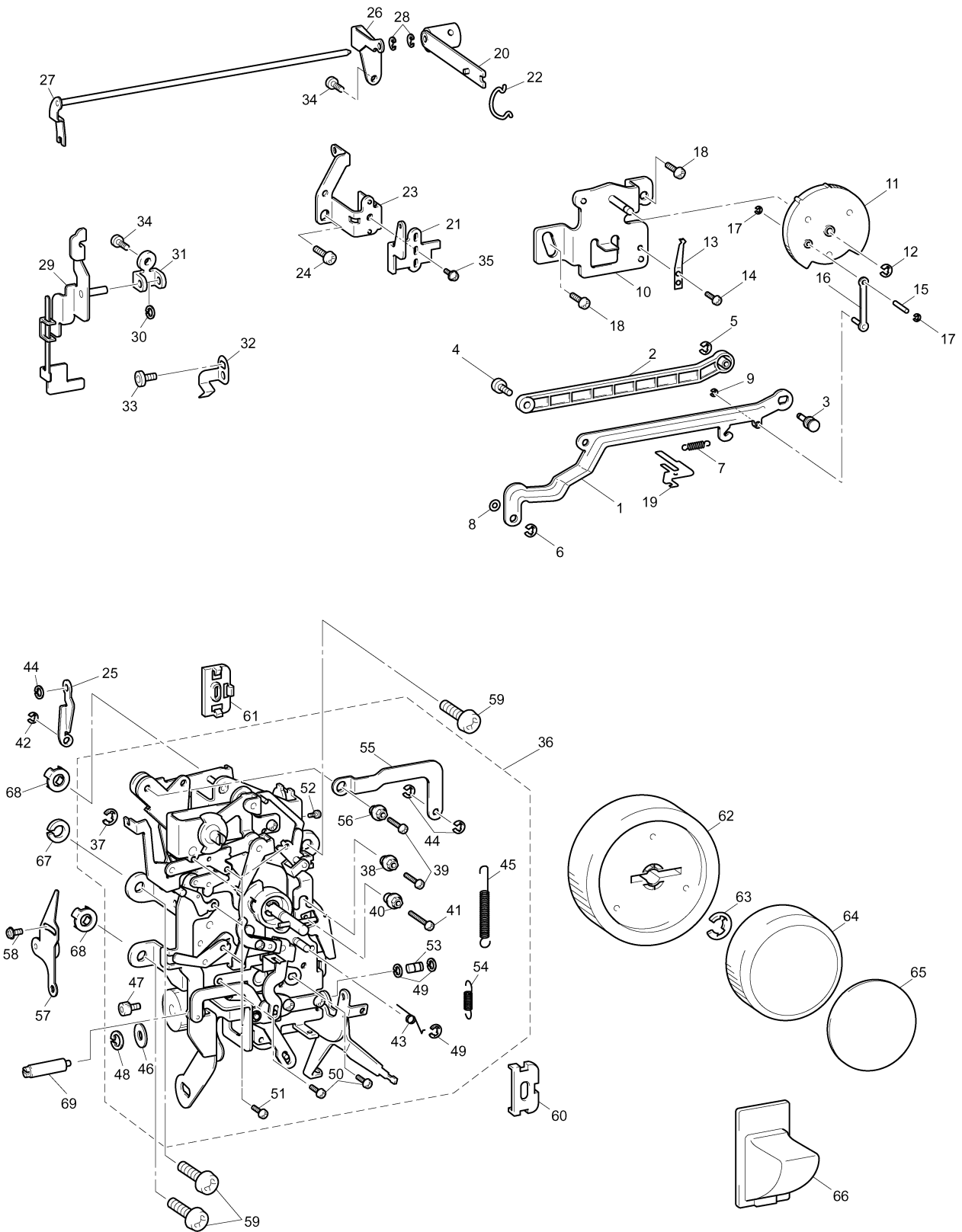


### (3) FEED / FEED ADJUSTMENT MECHANISM

| No.            | CODE      | NAME                                      | REMARKS    | No.                       | CODE      | NAME                           | REMARKS    |
|----------------|-----------|---|------------|---------------------------|-----------|--------------------------------|------------|
| FEED MECHANISM |           |   |            |                           |           |                                |            |
| 1              | XE0093001 | FEED MODULE (Plastic Model)               |            | 36                        | 014400432 | SET SCREW, SOCKET (CP) M4 x 4  |            |
|                | XE0094101 | FEED MODULE (Metal Model)                 |            | 37                        | XE3649001 | INNER ROTARY HOOK BRACKET ASSY | 1000004976 |
| 2              | XC4909121 | BASE PLATE ASSY                           | 1000006200 | 38                        | 0A5300806 | SCREW PAN (S/P WASHER) M3 x 8  | 1000015250 |
| 3              | XC4914021 | FEED ARM SUPPORTER                        |            | 40                        | XC4943021 | TIMING PULLEY D                |            |
| 4              | XC4915221 | FEED DOG                                  | 1000006200 | 41                        | 014500532 | SET SCREW SOCKET (CP) M5 x 5   |            |
| 5              | 060300816 | SCREW, BIND M3 x 8                        |            | 42                        | X52664020 | LOWER SHAFT BUSHING            |            |
| 6              | XZ5022101 | FEED BAR ASSY                             | 1000006200 | 43                        | X51383020 | WASHER, THRUST                 |            |
| 7              | 120454021 | RETAINING RING, CS3                       |            | 44                        | 048060346 | RETAINING RING E6              |            |
| 8              | XC4923020 | HORIZONTAL FEED SHAFT                     |            | 45                        | 137768121 | SET SCREW COLLAR               |            |
| 9              | 048050346 | RETAINING RING E5                         |            | 46                        | XC4944021 | BUSHING PRESSER B              |            |
| 10             | 130676121 | SET SCREW COLLAR                          |            | 47                        | 085310615 | TAPTITE BIND B M3 x 6          |            |
| 11             | X50546020 | WASHER, THRUST                            |            | 48                        | 025040332 | WASHER PLAIN L 4               |            |
| 12             | XC4924021 | FEED ARM ASSY                             |            | 49                        | 146200021 | RETAINING RING, CS4            |            |
| 13             | XC4927021 | FEED SUPPORTING PLATE                     |            | 50                        | X56655021 | RETAINING RING: CSTW-3.5       |            |
| 14             | XC4928120 | FEED SUPPORTING PLATE B                   | 1000000733 | 51                        | 060400816 | SCREW BIND M4 x 8              |            |
| 15             | 137999020 | POLYESTER SLIDER                          |            | 52                        | XC6364021 | SPRING                         |            |
| 16             | XC4929020 | FEED ADJUSTER                             |            | 53                        | XC4948020 | BUSHING PRESSER A              |            |
| 17             | XC4930121 | FEED ADJUSTING SHAFT                      |            | 54                        | XC3496021 | GIZA TITE 5 x 16               |            |
| 18             | 047201242 | PIN SPRING ROLL AW2                       |            | 55                        | XC8993321 | INNER ROTARY HOOK ASSY         | 1000008855 |
| 19             | XC4931021 | SPRING                                    |            | 56                        | X52800120 | BOBBIN                         |            |
| 20             | XZ5024001 | VERTICAL ADJUSTER SCREW ASSY              |            | 57                        | XC3805021 | GIZA TITE 5 x 16               |            |
| 21             | XC2546021 | M5 NUT                                    |            | 58                        | XC8990121 | NEEDLE PLATE A ASSY            |            |
| 22             | XC4935021 | SPRING                                    |            | 59                        | XC4946221 | NEEDLE PLATE A                 |            |
| 23             | XC4936020 | VERTICAL FEED SHAFT                       |            | 60                        | XC8991120 | STOPPER PLATE                  |            |
| 24             | XC2551020 | VERTICAL LEVER                            |            | 61                        | XC8992121 | F GEAR STOPPER PLATE           |            |
| 25             | 048030346 | RETAINING RING E3                         |            | 62                        | XD0196021 | SCREW BIND M2.6 x 3            |            |
| 26             | XC8987021 | OUTER ROTARY HOOK ASSY<br>(Plastic Model) |            | 63                        | XD0060021 | STOPPER PLATE B                |            |
|                | XD0115021 | OUTER ROTARY HOOK ASSY<br>(Metal Model)   |            | 64                        | 060300416 | SCREW BIND M3 x 4              |            |
| 27             | XC0063021 | MAGNET (Plastic Model)                    |            | 65                        | XD0059021 | STOPPER PLATE L                |            |
|                | XC0063051 | MAGNET<br>(Metal Model)                   |            | 66                        | X50487021 | SCREW M4                       | 1000010447 |
| 28             | XC8989020 | WASHER (Plastic Model)                    |            | FEED ADJUSTMENT MECHANISM |           |                                |            |
| 29             | XD1943021 | OUTER ROTARY HOOK SHAFT                   |            | 67                        | XC4949020 | FEED CONNECTING HOLDER         |            |
| 30             | X53183021 | WASHER (Plastic Model)                    |            | 68                        | XC9951021 | FEED CONNECTING LEVER A        |            |
| 31             | 137805022 | SPACER<br>(Metal Model)                   |            | 69                        | XC9952021 | FEED CONNECTING LEVER B ASSY   |            |
| 32             | 137976021 | WASHER 6<br>(Metal Model)                 |            | 70                        | XA1620021 | ADJUSTING SCREW                |            |
| 33             | XC4937020 | SHAFT SUPPORTER                           |            | 71                        | X56960021 | NUT 4                          |            |
| 34             | XC4938020 | COLLAR                                    |            | 72                        | 060401416 | SCREW BIND M4 x 14             |            |
| 35             | XC6551021 | SCREW, PAN (S/P WASHER) M4 x 22           |            | 73                        | 021400205 | NUT 2 M4                       |            |
|                |           |   |            | 74                        | XC3496021 | GIZA TITE 5 x 16               |            |
|                |           |   |            | 75                        | XD1679121 | SPRING                         |            |
|                |           |   |            | 76                        | 048040346 | RETAINING RING E4              |            |
|                |           |   |            | 77                        | XE7323101 | IRH BRACKET SUPPORT PLATE      | 1000016146 |



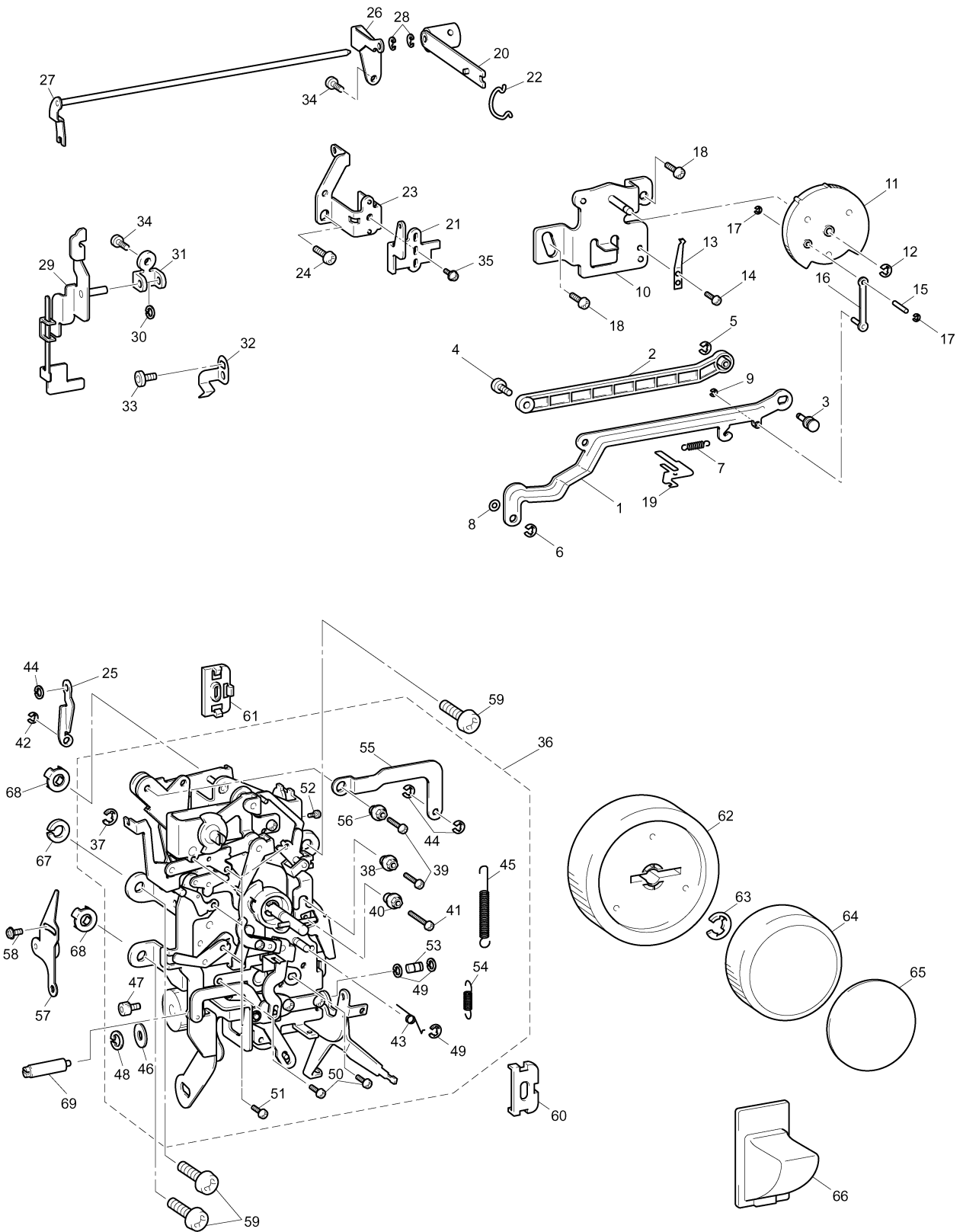
# (4) ZIGZAG / BH / PATTERN SELECTION MECHANISM



## (4) ZIGZAG / BH / PATTERN SELECTION MECHANISM

| No.              | CODE      | NAME                        | REMARKS    |
|------------------|-----------|-----------------------------|------------|
| ZIGZAG MECHANISM |           |                             |            |
| 1                | XC8996120 | ZIGZAG LEVER A              |            |
| 2                | XC8998020 | ZIGZAG LEVER B              |            |
| 3                | XC8999021 | ZIGZAG LINK ROLLER SHAFT    |            |
| 4                | 0A4400806 | SCREW PAN (S/P WASHER) M4X8 |            |
| 5                | 048030346 | RETAINING RING E3           | 1000001452 |
| 6                | 048040346 | RETAINING RING, E4          | 1000001452 |
| 7                | XA4200021 | SPRING                      |            |
| 8                | 137713020 | POLYESTER SLIDER            |            |
| 9                | 048025346 | RETAINING RING E2.5         | 1000001452 |
| 10               | XC9002021 | Z DIAL HOLDER ASSY          |            |
| 11               | XC9004021 | Z DIAL                      |            |
| 12               | 048040346 | RETAINING RING E4           | 1000001452 |
| 13               | X56839021 | NOTCHED SPRING              |            |
| 14               | 085310615 | TAPTITE BIND B M3X6         |            |
| 15               | XC9006021 | Z DIAL PIN                  |            |
| 16               | XD1680021 | Z DIAL CONNECTING ROD ASSY  |            |
| 17               | 048025346 | RETAINING RING E2.5         | 1000001452 |
| 18               | XC3496021 | GIZA TITE 5X16              |            |
| 19               | XC9012020 | SPRING HOLDER               |            |
| BH MECHANISM     |           |                             |            |
| 20               | XD1682021 | BH CHANGE ARM ASSY          |            |
| 21               | XD1684021 | BH NOTCH SPRING PLATE       |            |
| 22               | 136997021 | BH SPRING                   |            |
| 23               | XD1685121 | BH CHANGE SHAFT HOLDER A    |            |
| 24               | XC3496021 | GIZA TITE 5X16              |            |
| 25               | XD1686021 | BH CONNECTING ROD B         |            |
| 26               | XD1687021 | BH CHANGE SHAFT HOLDER B    |            |
| 27               | XD1688221 | BH CHANGE SHAFT ASSY        |            |
| 28               | 048025346 | RETAINING RING E2.5         | 1000001452 |
| 29               | XD1695021 | BH LEVER HOLDER ASSY        |            |
| 30               | 048030346 | RETAINING RING E3           | 1000001452 |
| 31               | XD1699021 | BH SHAFT HOLDER             |            |
| 32               | XD1700121 | BH LEVER STOPPER            |            |
| 33               | 018300636 | BOLT SOCKET M3X6            |            |
| 34               | 060400616 | SCREW BIND M4X6             | 1000007772 |
| 35               | 0A4400806 | SCREW PAN (S/P WASHER) M4X8 |            |
|                  |           |                             |            |
|                  |           |                             |            |
|                  |           |                             |            |
|                  |           |                             |            |
|                  |           |                             |            |
|                  |           |                             |            |
|                  |           |                             |            |
|                  |           |                             |            |
|                  |           |                             |            |

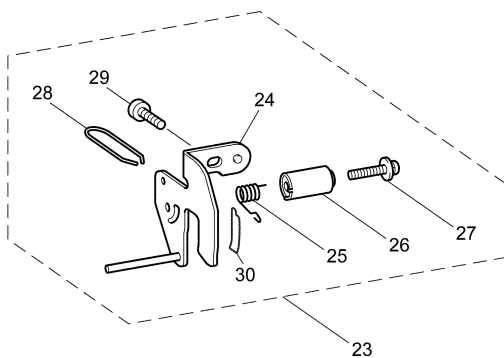
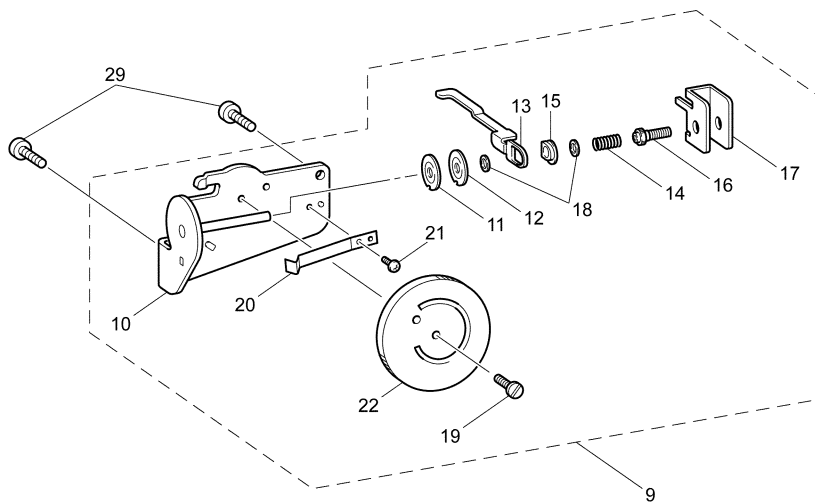
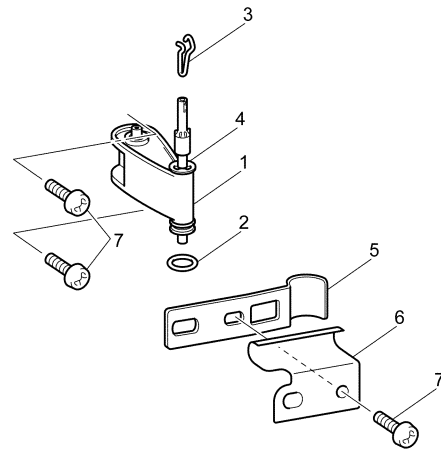
# (4) ZIGZAG / BH / PATTERN SELECTION MECHANISM



## (4) ZIGZAG / BH / PATTERN SELECTION MECHANISM

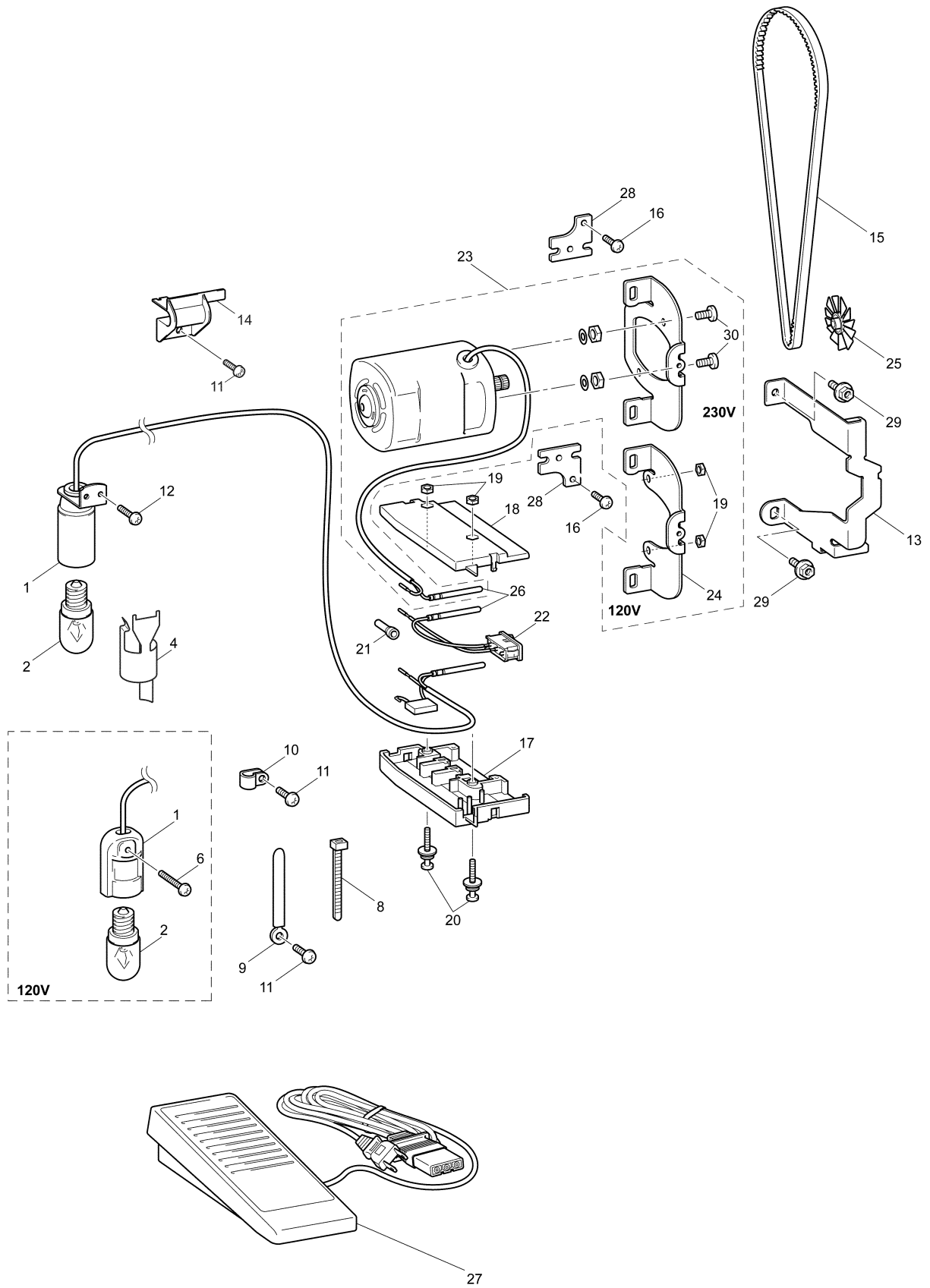
| No.                         | CODE      | NAME  | REMARKS    | No. | CODE      | NAME                              | REMARKS    |
|-----------------------------|-----------|---|------------|-----|-----------|-----------------------------------|------------|
| PATTERN SELECTION MECHANISM |           |   |            | 65  | XC9075048 | DECORATION PLATE (XL2600i)        | 1000000181 |
| 36                          | XD1883121 | SELECTING UNIT ASSEMBLY<br>(XL2600i, BM2700, COMFORT 25A,<br>L30, LS590)  | 1000007085 |     | XC9075039 | DECORATION PLATE (XL3500i)        |            |
|                             | XD1701121 | SELECTING UNIT ASSEMBLY<br>(XL3500i, XL3600, BM3600, XL3750,<br>3750FS, COMFORT 35A, L40)                                       | 1000007085 |     | XC9075040 | DECORATION PLATE (XL3600)         |            |
| 37                          | 048060343 | RETAINING RING E6   | 1000001452 |     | XC9075041 | DECORATION PLATE (BM3600)         |            |
| 38                          | XC4989021 | ADJUSTING NUT   |            |     | XC9075043 | DECORATION PLATE (BM2700)         |            |
| 39                          | 062300806 | SCREW PAN M3X8  |            |     | XC9075047 | DECORATION PLATE (COMFORT 25A)    |            |
| 40                          | XC4994021 | ADJUSTING NUT   |            |     | XC9075046 | DECORATION PLATE (COMFORT 35A)    |            |
| 41                          | 062301205 | SCREW PAN M3X12   |            |     | XC9075045 | DECORATION PLATE (L30)            |            |
| 42                          | 048025343 | RETAINING RING E2.5   | 1000001452 |     | XC9075044 | DECORATION PLATE (L40)            |            |
| 43                          | XD1769021 | SPRING  |            |     | XC9075050 | DECORATION PLATE (XL3750, 3750FS) | 1000001599 |
| 44                          | 048030343 | RETAINING RING E3   | 1000001452 |     | XC9075053 | DECORATION PLATE (LS590)          | 1000008128 |
| 45                          | XC5029021 | SPRING  |            |     | XC9075057 | DECORATION PLATE (HQ33)           | 1000016440 |
| 46                          | X50546020 | WASHER, THRUST  |            | 66  | XC5028021 | REVERSE SEWING BUTTON             |            |
| 47                          | 012400432 | SET SCREW SOCKET (FT) M4X4  |            | 67  | XZ5020101 | SPACER                            |            |
| 48                          | 048050343 | RETAINING RING E5   | 1000001452 | 68  | XD0037220 | WASHER 9                          |            |
| 49                          | 048040343 | RETAINING RING E4   | 1000001452 | 69  | XC5034021 | SHAFT                             | 1000007085 |
| 50                          | 060300516 | SCREW BIND M3X5   |            |     |           |                                   |            |
| 51                          | XC7564021 | SCREW, PAN (S/P WASHER) M3X6  |            |     |           |                                   |            |
| 52                          | 018300636 | BOLT SOCKET M3X6  |            |     |           |                                   |            |
| 53                          | XC6462021 | PIN   |            |     |           |                                   |            |
| 54                          | X59905021 | SPRING  |            |     |           |                                   |            |
| 55                          | XD1789021 | ZIGZAG LINK CONNECTING ROD  |            |     |           |                                   |            |
| 56                          | X50559020 | ZIGZAG ADJUSTING NUT  |            |     |           |                                   |            |
| 57                          | XC8984021 | TENSION PULLEY ASSY   |            |     |           |                                   |            |
| 58                          | 0A4400806 | SCREW PAN (S/P WASHER) M4X8   |            |     |           |                                   |            |
| 59                          | XC3805021 | GIZA TITE 5X16  |            |     |           |                                   |            |
| 60                          | XC5035020 | SPACER<br>(XL2600i: U.S.A., BRA, XL3500i,<br>XL3750: U.S.A., CHL, BRA, CAN,<br>COMFORT25A, L30, LS590,<br>BM2700, 3600: U.S.A.) | 1000013708 |     |           |                                   |            |
| 61                          | XC5036020 | WASHER<br>(XL2600i: U.S.A., BRA, XL3500i,<br>XL3750: U.S.A., CHL, BRA, CAN,<br>COMFORT25A, L30, LS590,<br>BM2700, 3600: U.S.A.) | 1000013708 |     |           |                                   |            |
| 62                          | XC9218223 | FEED DIAL (XL2600i, BM2700, LS590, HQ33)  |            |     |           |                                   |            |
|                             | XC9218222 | FEED DIAL (OTHER)   |            |     |           |                                   |            |
| 63                          | 048060346 | RETAINING RING E6   | 1000001452 |     |           |                                   |            |
| 64                          | XC9074021 | SELECTING DIAL  |            |     |           |                                   |            |

# (5) BOBBIN WINDER / THREAD GUIDE MECHANISM





## (6) LAMP MECHANISM / MOTOR UNIT

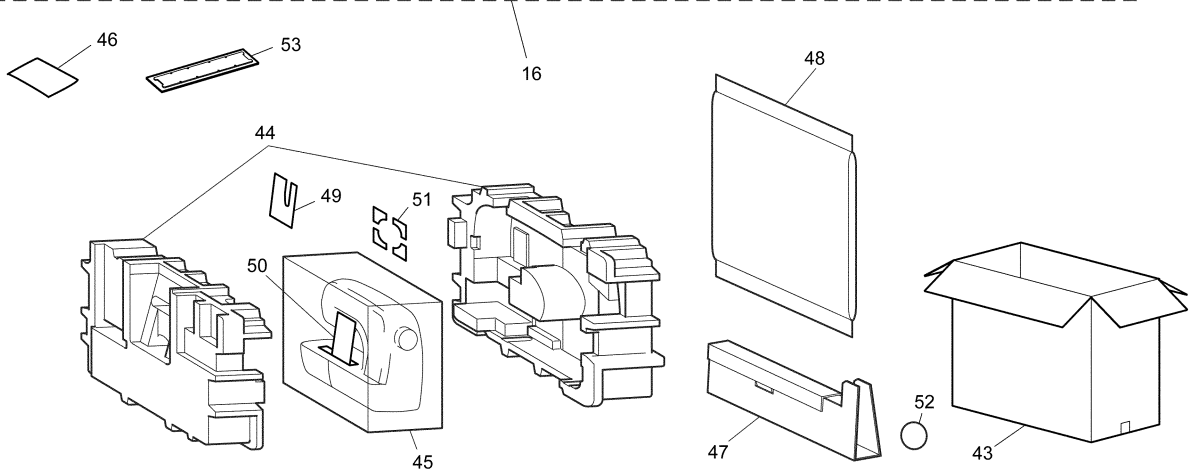
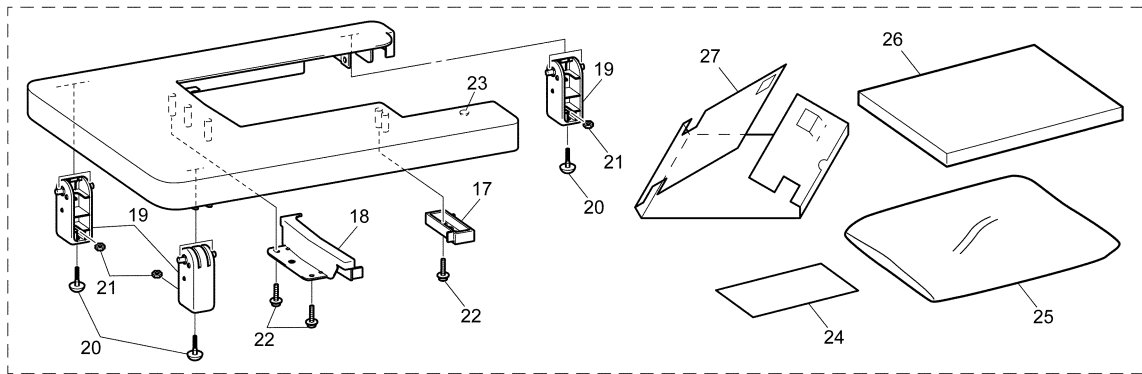
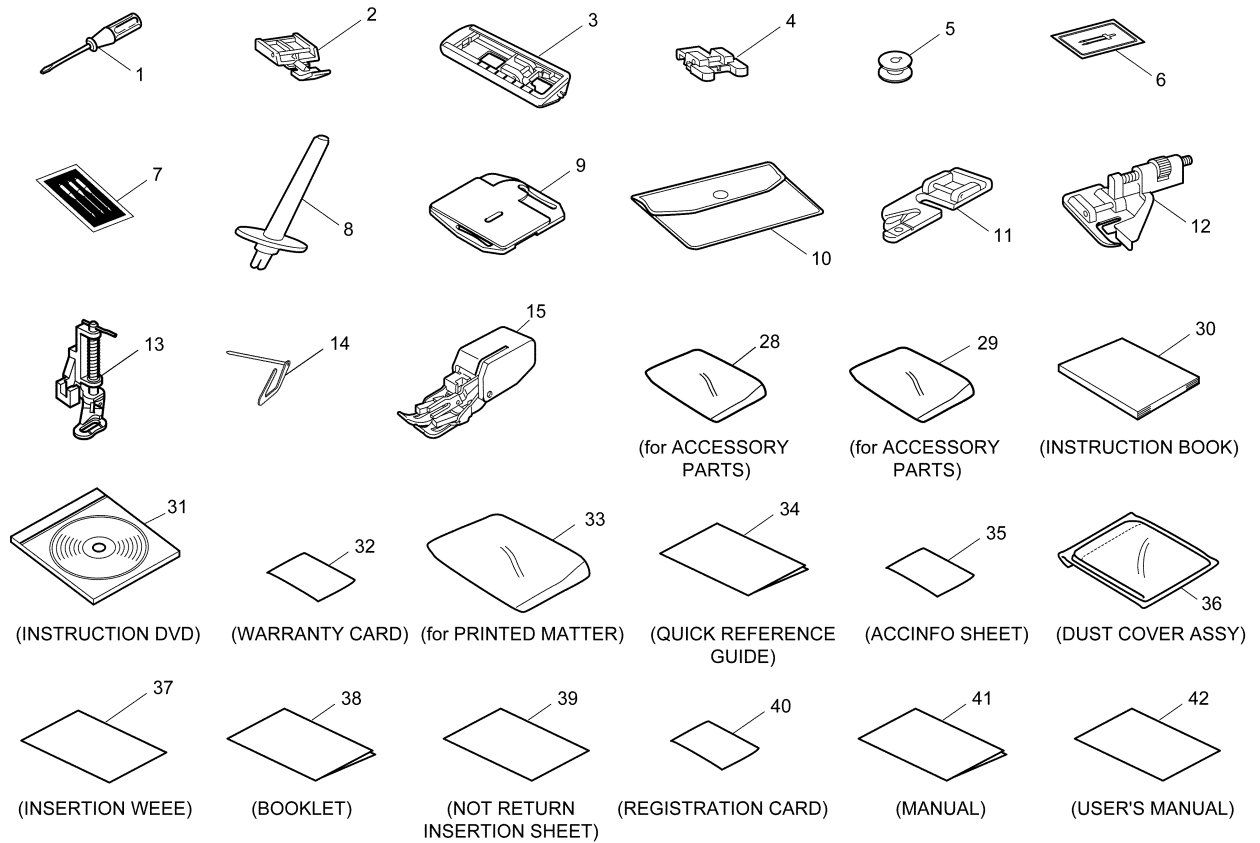


## (6) LAMP MECHANISM / MOTOR UNIT

| No.            | CODE                 | NAME   | REMARKS    | No. | CODE                 | NAME   | REMARKS    |
|----------------|----------------------|--|------------|-----|----------------------|--|------------|
| LAMP MECHANISM |                      |  |            | 23  | XE6638001            | MOTOR SUPPLY ASSY 240V   | 1000014411 |
| 1              | XC5992021            | LAMP ASSY, E12C #026<br>(XL2600i: U.S.A., BRA120V, LS590,<br>XL3500i, 3750, BM2700, 3600: USA)               | 1000001599 | 24  | XD0870321            | MOTOR HOLDER FDM120V   | 1000001599 |
|                | XD1971121            | LAMP HOLDER 120V<br>(XL2600i: U.S.A., BRA, XL3500i, XL3750)  | 1000007202 |     | <del>XD0871421</del> | MOTOR HOLDER FDM230V   | 1000014411 |
|                | XC9132021            | LAMP ASSY, E14K #186 (OTHER)   |            | 25  | XC3803020            | MOTOR FAN  |            |
| 2              | X53061030            | SEW-LIGHT BULB (100-120V)  | 1000013742 | 26  | 138598021            | SOCKET PIN   |            |
|                | 205336030            | SEW-LIGHT BULB L-4 (220-240V)  | 1000012695 | 27  | XC7359021            | FOOT CONTROLLER: KD-1902<br>(XL2600i: U.S.A., BRA120V, LS590,<br>XL3500i, 3750, BM2700, 3600: USA)                   | 1000001764 |
| 3              | <del>XD1791121</del> | LAMP HOLDER 120V<br>(XL2600i: U.S.A., BRA, XL3500i, XL3750)  | 1000007202 |     | XC7438321            | FOOT CONTROLLER: KD-2902   | 1000001764 |
| 4              | <del>XD1971021</del> | GUARD PLATE<br>(XL2600i: U.S.A., BRA, XL3500i, XL3750)   | 1000007202 |     | XC7456321            | FOOT CONTROLLER: KD-2902UK<br>(XL3600: U.K., BM3600: U.K., IRE)  | 1000001764 |
|                | XD1981021            | GUARD PLATE 230V<br>(EXCEPT: XL3750, BM2700, 3600: USA)  |            |     | XE3414001            | FOOT CONTROLLER: KD-1902 BRZ<br>(BRA120V)  | 1000004285 |
| 5              | <del>060400616</del> | SCREW, BIND M4 x 6<br>(XL2600i: U.S.A., BRA, XL3500i, XL3750)  | 1000007202 |     | XD0112121            | FOOT CONTROLLER: KD-2902IRAM<br>(ARG)  | 1000008422 |
| 6              | 060302016            | SCREW, BIND M3 x 20<br>(XL2600i: U.S.A., BRA120V, LS590,<br>XL3500i, 3750, BM2700, 3600: USA)                | 1000001599 |     | XE4302001            | FOOT CONTROLLER: KD-2902 BRZ<br>(BRA220V)  | 1000007371 |
| 7              | <del>060300416</del> | SCREW BIND M3x4<br>(XL2600i: U.S.A., BRA, XL3500i, XL3750)   | 1000007202 | 28  | XE5255001            | MOTOR FIXED PLATE  | 1000011677 |
| 8              | X53169020            | BAND   |            | 29  | XA3004021            | BOLT, (S/P WASHER) M5 x 12   |            |
| 9              | XA0286021            | WIRE CLIP  |            | 30  | 138172021            | SCREW, PAN (S/P WASHER) M4 x 10<br>(EXCEPT: XL2600i: U.S.A., BRA120V,<br>XL3500i, 3750, LS590, BM2700,<br>3600: USA) | 1000001599 |
| 10             | XC5243021            | CORD CLAMP: NK-5N  |            |     |                      |  |            |
| 11             | 085411416            | TAPTITE BIND B M4 x 14   |            |     |                      |  |            |
| 12             | 085311215            | TAPTITE, BIND B M3 x 12<br>(EXCEPT: XL2600i: U.S.A., BRA120V,<br>XL3500i, 3750, LS590, BM2700,<br>3600: USA) | 1000001599 |     |                      |  |            |
| 13             | XD1770021            | CORD GUIDE PLATE   |            |     |                      |  |            |
| 14             | XD1786021            | CORD CLAMP   |            |     |                      |  |            |
| MOTOR UNIT     |                      |  |            |     |                      |  |            |
| 15             | XC3806121            | TIMING BELT 372-2GT-6  |            |     |                      |  |            |
| 16             | XC3496021            | GIZA TITE 5 x 16   |            |     |                      |  |            |
| 17             | XD0571021            | 3P SOCKET BODY   |            |     |                      |  |            |
| 18             | XD0572021            | 3P SOCKET COVER  |            |     |                      |  |            |
| 19             | 021400205            | NUT 2 M4   |            |     |                      |  |            |
| 20             | 052403006            | SCREW, PAN (S/P WASHER) M4 x 30  |            |     |                      |  |            |
| 21             | 214808020            | CONNECTOR: #3  |            |     |                      |  |            |
| 22             | XC5232021            | POWER SWITCH ASSY  |            |     |                      |  |            |
| 23             | XD0865021            | MOTOR SUPPLY ASSY FDM120V  | 1000001599 |     |                      |  |            |
|                | XE6313001            | MOTOR SUPPLY ASSY FDM230V  | 1000014411 |     |                      |  |            |
|                | XE6637001            | MOTOR SUPPLY ASSY 220V/50HZ  | 1000014411 |     |                      |  |            |
|                | XE6636001            | MOTOR SUPPLY ASSY 220V/60HZ<br>(KOREA)   | 1000014411 |     |                      |  |            |



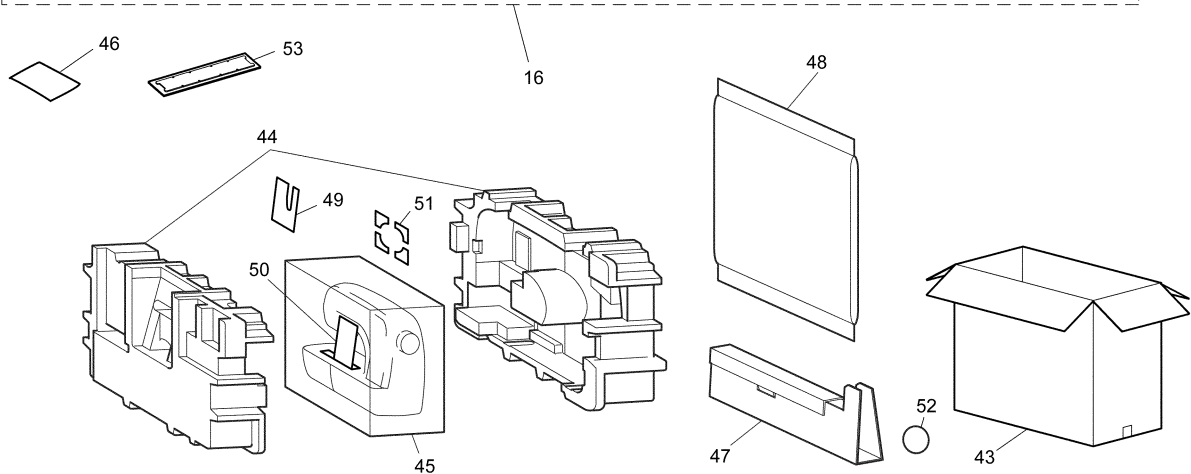
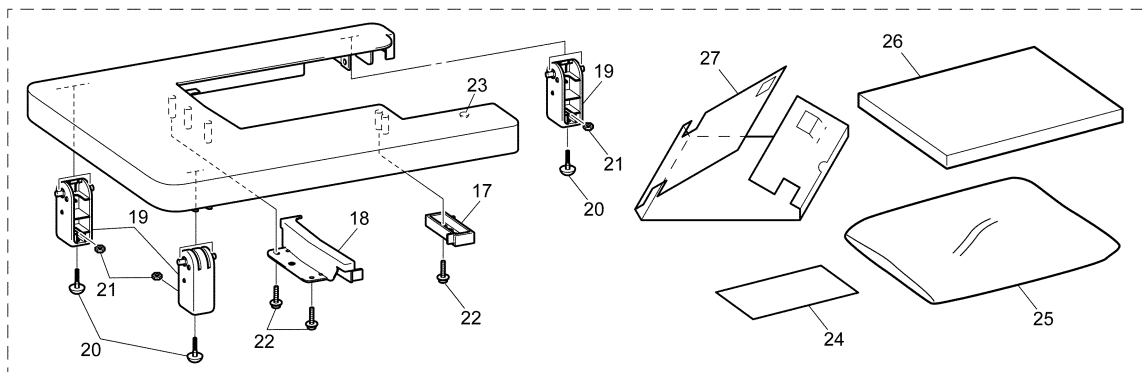
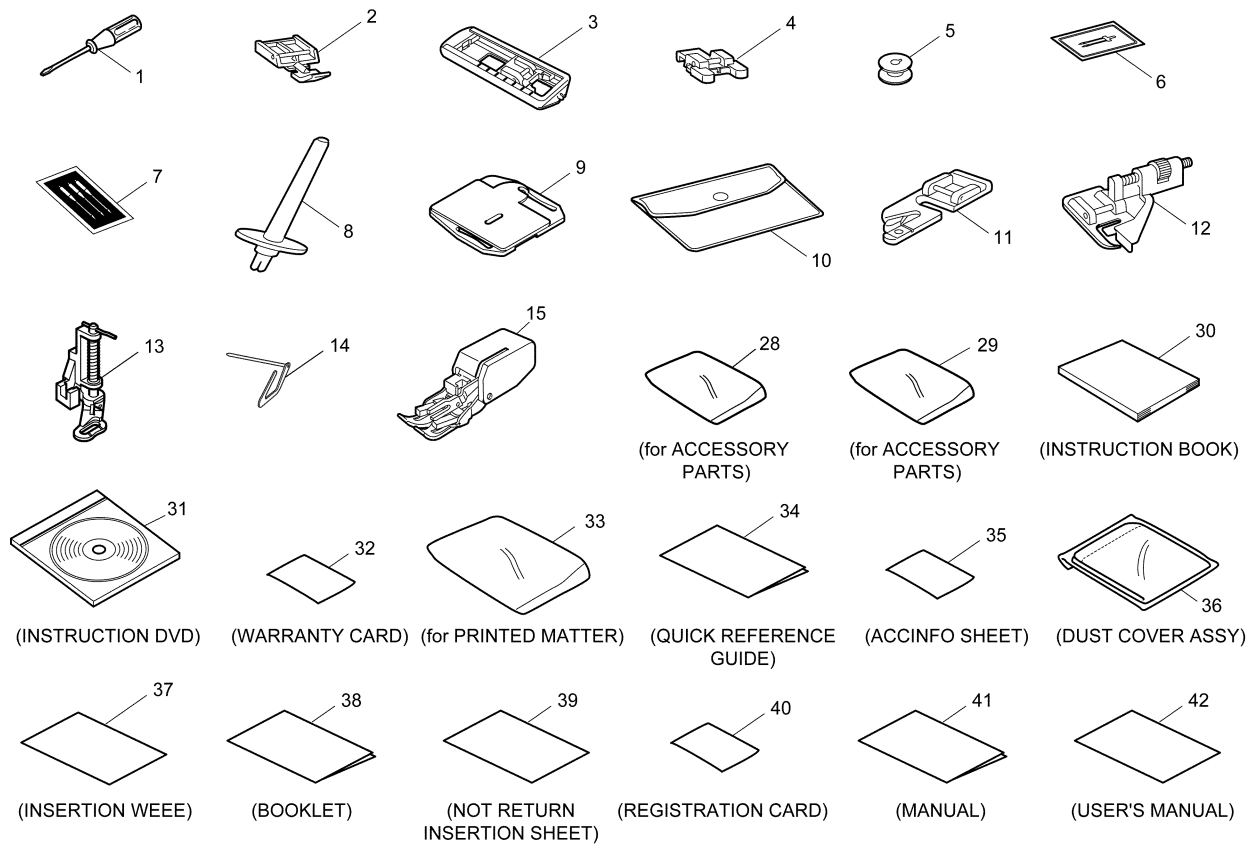
# (7) ATTACHMENTS / PRINTED MATTER / PACKING MATERIALS



## (7) ATTACHMENTS / PRINTED MATTER / PACKING MATERIALS

| No.            | CODE      | NAME   | REMARKS    | No. | CODE      | NAME  | REMARKS    |
|----------------|-----------|--|------------|-----|-----------|---|------------|
| ATTACHMENTS    |           |  |            |     |           |   |            |
| 1              | X55467021 | SCREW DRIVER   |            | 30  | XE0001001 | INSTRUCTION BOOK FRE<br>(XL3600: FRA, SWI, XL3750: CAN,<br>BM3600: FRA, SWI)              |            |
| 2              | X59370021 | ZIPPER FOOT  |            |     | XE0002001 | INSTRUCTION BOOK DUT<br>(XL3600: FRA, BM3600: FRA)  |            |
| 3              | XD1792031 | BUTTON HOLE FOOT ASSY  |            |     | XE0003001 | INSTRUCTION BOOK ITA<br>(XL3600: ITA, SWI, BM3600: ITA, SWI)                              |            |
| 4              | XE2137001 | BUTTON SEWING FOOT   | 1000001059 |     | XE1337001 | INSTRUCTION BOOK DEN (NEU)  | 060138     |
| 5              | X52800120 | BOBBIN   |            |     | XE1338001 | INSTRUCTION BOOK SWE (NEU)  | 060138     |
| 6              | X57521021 | NEEDLE PACKAGE (1 PCE)   |            |     | XE1342001 | INSTRUCTION BOOK FIN (NEU)  | 060138     |
| 7              | 129583021 | NEEDLE SET (3PCS)  |            |     | XE1339001 | INSTRUCTION BOOK NOR (NEU)  | 060218     |
| 8              | 130920021 | EXTRA SPOOL PIN  |            |     | XE1723001 | INSTRUCTION BOOK RUS (RUS)  | ADD        |
| 9              | XC6063021 | FEED DOG COVER   |            |     | XE4542001 | INSTRUCTION BOOK BR (BRA)   | 1000007560 |
| 10             | XC4487021 | ACCESSORY BAG  |            |     | XE5684001 | INSTRUCTION BOOK TUR (TUR)  | 1000010624 |
| 11             | X59371021 | NARROW HEMMER FOOT<br>(U.S.A., CHI, BRA, ARG, CAN, PRY)  |            |     | XE4934001 | MYLAR INSTRUCTION ASSY (LS590)  | 1000008128 |
| 12             | XE6081001 | BLIND STITCH FOOT<br>(XL2600i, 3500i, 3750, LS590, BM2700,<br>BM3600: ARG, CHL, U.S.A.)            | 1000012127 | 31  | XD1866021 | INSTRUCTION DVD PAL<br>(XL3600i, BM3600)  |            |
| 13             | XD1819021 | QUILTING FOOT (XL3500i, XL3750)  | 1000001599 |     | XE5495001 | INSTRUCTION DVD ASSY RUS (RUS)  | 1000009910 |
| 14             | X59819021 | QUILTER (XL3500i, XL3750)  | 1000001599 |     | XE6308001 | INNOV-IS RANGE PROMOTION DVD  | 1000013646 |
| 15             | XE2785002 | WALKING FOOT ASSY (XL3500i, 3750)  | 1000002188 | 32  | XC0380021 | WARRANTY CARD<br>(XL2600i: U.S.A., XL3500i, 3750, LS590)                                  | 1000001599 |
| 16             | XC9800021 | S99 WIDE TABLE ASSY (XL3500i, 3750)  | 1000001599 |     | XC8946021 | WARRANTY CARD C<br>(BM2700, 3600: U.S.A.)   |            |
| 17             | XC9360021 | FIXING PLATE A (XL3500i, 3750)   | 1000001599 |     | LA1661001 | WARRANTY CARD EURO CH<br>(OTHER, BM3600, XL3600)  | 1000016851 |
| 18             | XC9786021 | FIXING PLATE S99 (XL3500i, 3750)   | 1000001599 |     | XC6402021 | WARRANTY CARD UK (U.K.)   |            |
| 19             | XC4495021 | TABLE FOOT (XL3500i, 3750)   | 1000001599 |     | XE5609101 | WARRANTY CARD 5YEARS ITA (ITA)  | 1000013378 |
| 20             | XD1223021 | ADJUSTING FOOT (XL3500i, 3750)   | 1000001599 |     | XE4548001 | WARRANTY CARD BR HEM (BRA)  | 1000007560 |
| 21             | 021400206 | NUT 2 M4 (XL3500i, 3750)   | 1000001599 |     | XE5572001 | WARRANTY CARD BROTHER RUS (RUS)   | 1000010023 |
| 22             | 087411416 | TAPTITE CUP B M4X14 (XL3500i, 3750)  | 1000001599 |     | XE5652001 | WARRANTY CARD BROTHER ARG<br>(ARG, PRY)   | 1000011223 |
| 23             | X59853020 | RUBBER CUSHION (XL3500i, 3750)   | 1000001599 |     | XE2010001 | WARRANTY CARD BROTHER CANADA  |            |
| 24             | XC9802021 | INSTRUCTION MANUAL (XL3500i, 3750)   | 1000001599 |     | XE2895001 | OPTIONAL 5YEAR WARRANTY CARD (U.K.)   | 1000004069 |
| 25             | X61231021 | BAG 400X500H (XL3500i, 3750)   | 1000001599 | 33  | 130800021 | BAG 220 x 310H  |            |
| 26             | XC9361020 | LE WIDE TABLE CARTON<br>(XL3500i, 3750)  | 1000001599 | 34  | XD1795021 | QUICK REFERENCE GUIDE<br>(XL2600i, 3500i, 3750, LS590)                                    | 1000001599 |
| 27             | XC9362020 | PAD (XL3500i, 3750)  | 1000001599 |     | XD1865021 | QUICK REFERENCE GUIDE<br>(XL3600)   |            |
| 28             | XD0789021 | BAG, 120X135C<br>(XL2600i, XL3500i, 3750, LS590)   | 1000001599 |     | XD1871021 | QUICK REFERENCE GUIDE<br>(BM3600, 2700, COMFORT 25A, 35A,<br>L30, L40, XL3750: CHI, HQ33) |            |
| 29             | X57367021 | BAG, 135 x 150<br>(XL3500i, XL3750)  | 1000001599 | 35  | XC6911021 | ACCINFO SHEET (XL2600i: U.S.A.,<br>XL3500i, XL3750: CAN, LS590)                           |            |
| PRINTED MATTER |           |  |            | 36  | XA2112022 | DUST COVER ASSY<br>(EXCEPT: U.S.A, CHILE, ARG, PRY)                                       |            |
| 30             | XD1794321 | INSTRUCTION BOOK<br>(XL2600i, XL3500i, BM3600, BM2700,<br>XL3750, LS590)                           | 1000011678 |     |           |   |            |
|                | XD1864021 | INSTRUCTION BOOK GER<br>(XL3600: GER, SWI, BM3600: GER,  |            |     |           |   |            |
|                | XD1931021 | INSTRUCTION BOOK ENG<br>(XL3600: U.K., EUR, XL3750: CAN,<br>BM3600: U.K., SWI, NEU, AUS, SIN, IRE) |            |     |           |   |            |

# (7) ATTACHMENTS / PRINTED MATTER / PACKING MATERIALS



## (7) ATTACHMENTS / PRINTED MATTER / PACKING MATERIALS

| No.               | CODE                       | NAME   | REMARKS    |
|-------------------|----------------------------|--|------------|
| 37                | XD0256121                  | INSERTION WEEE<br>(XL3600, BM2700: CHL, HQ33)              | 1000002031 |
|                   | XE2196001                  | INSERTION  | 1000003188 |
|                   | XE6623001                  | INSERTION (XL3750: CAN)                                    | 1000014468 |
| 38                | XE1158101                  | BOOKLET<br>(XL3600, BM3600: EXCEPT CHI, AUS,<br>ARG, HQ33) | 060168     |
| 39                | XE4888001                  | NOT RETURN INSERTION SHEET<br>(LS590, L30)                 | 1000007964 |
| 40                | XE5611001                  | REGISTRATION CARD ITA (ITA)                                | 1000010089 |
| 41                | XC1885021                  | MANUAL (XL3750: CAN)                                       |            |
| 42                | XA7201021                  | USER'S MANUAL (XL3750: CAN)                                |            |
| PACKING MATERIALS |                            |  |            |
| 43                | XE1956001                  | COLOR CARTON (XL2600i: OTHER)                              | 1000000181 |
|                   | XD1796021                  | COLOR CARTON (XL3500i)                                     |            |
|                   | XC5152046                  | CARTON (XL3600)  |            |
|                   | XC5152047                  | CARTON (BM3600: OTHER)                                     |            |
|                   | XE1814001                  | COLOR CARTON (BM3600: AUS, CHI)                            | ADD        |
|                   | XC5152048                  | CARTON (BM2700)  |            |
|                   | XE1837101                  | CARTON (COMFORT 25A)                                       | 1000006004 |
|                   | XE1817101                  | CARTON (COMFORT 35A)                                       | 1000006004 |
|                   | XE1839101                  | CARTON (L30)   | 1000006004 |
|                   | XE1838101                  | CARTON (L40)   | 1000006004 |
|                   | XD1796023                  | COLOR CARTON (XL3750: OTHER)                               | 1000001599 |
|                   | XE3410001                  | CARTON (XL3750FS)  | 1000004116 |
|                   | XE3902001                  | COLOR CARTON (XL2600i: ARG, BRA)                           | 1000006416 |
|                   | XD1796024                  | COLOR CARTON<br>(XL3750: ARG, BRA, CHL, PRY)               | 1000006416 |
|                   | XD1796025                  | COLOR CARTON (XL3750: CAN)                                 |            |
|                   | XE4803001                  | COLOR CARTON (LS590)                                       | 1000008128 |
|                   | XE5932001                  | CARTON (BM2700: USA)                                       |            |
| XE5935001         | CARTON (BM3600: USA)       |  |            |
| XE7678001         | CARTON MODEL: HQ-33 (HQ33) | 1000016440   |            |
| 44                | XD1798121                  | S29SF ASSY   | 060185     |
| 45                | X60439121                  | BAG 630 x 630T   | 1000013217 |
| 46                | X57847021                  | PLUG LABEL (U.K.)  |            |
| 47                | XC9806020                  | PAD (XL3500i, XL3750)                                      | 1000001599 |
| 48                | XC9960021                  | SEWING MACHINE CASE ASSY<br>(XL3500i, XL3750)              | 1000001599 |
| 49                | XZ5028001                  | NEEDLE BAR PAD D   |            |
| 50                | XE4997001                  | NEEDLE GUARD D   |            |
| 51                | XD1536020                  | DIAL PAD D   |            |
| 52                | XD0242021                  | DVD STICKER (U.K., IRE, SGP, UAE)                          | 1000015636 |
| 53                | LA6041001                  | SECURITY TAG (XL3750: CAN)                                 |            |
|                   |                            |  |            |

**brother**®

XL2600i/XL3500i/XL3600/XL3750/BM3600/BM2700/COMFORT 25A/35A/L30/L40  
XL3750FS/LS590/HQ33  
09A06HF885S28/29

04. 2006.  
02. 2010.