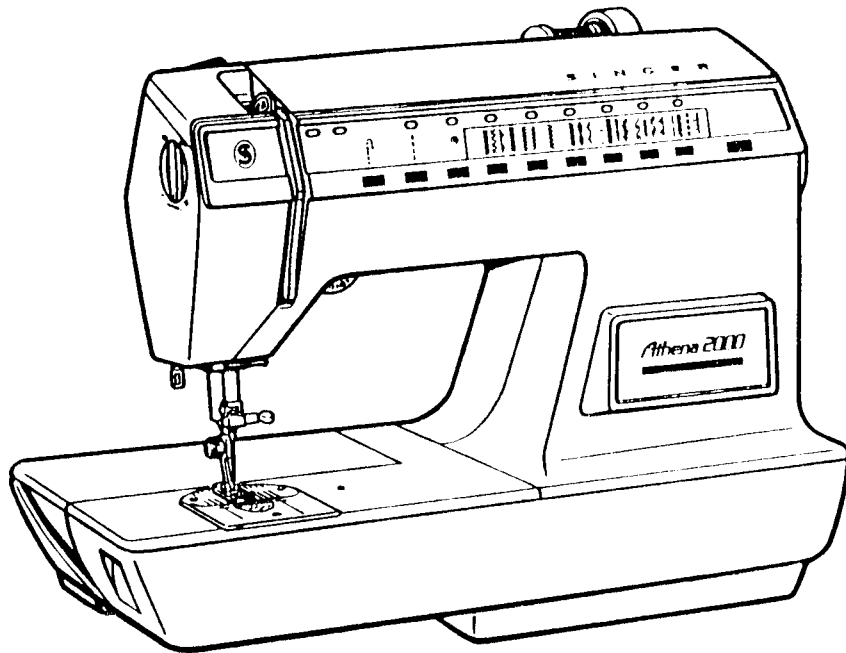


SINGER
2000A

List of Parts - 2000-A Machine

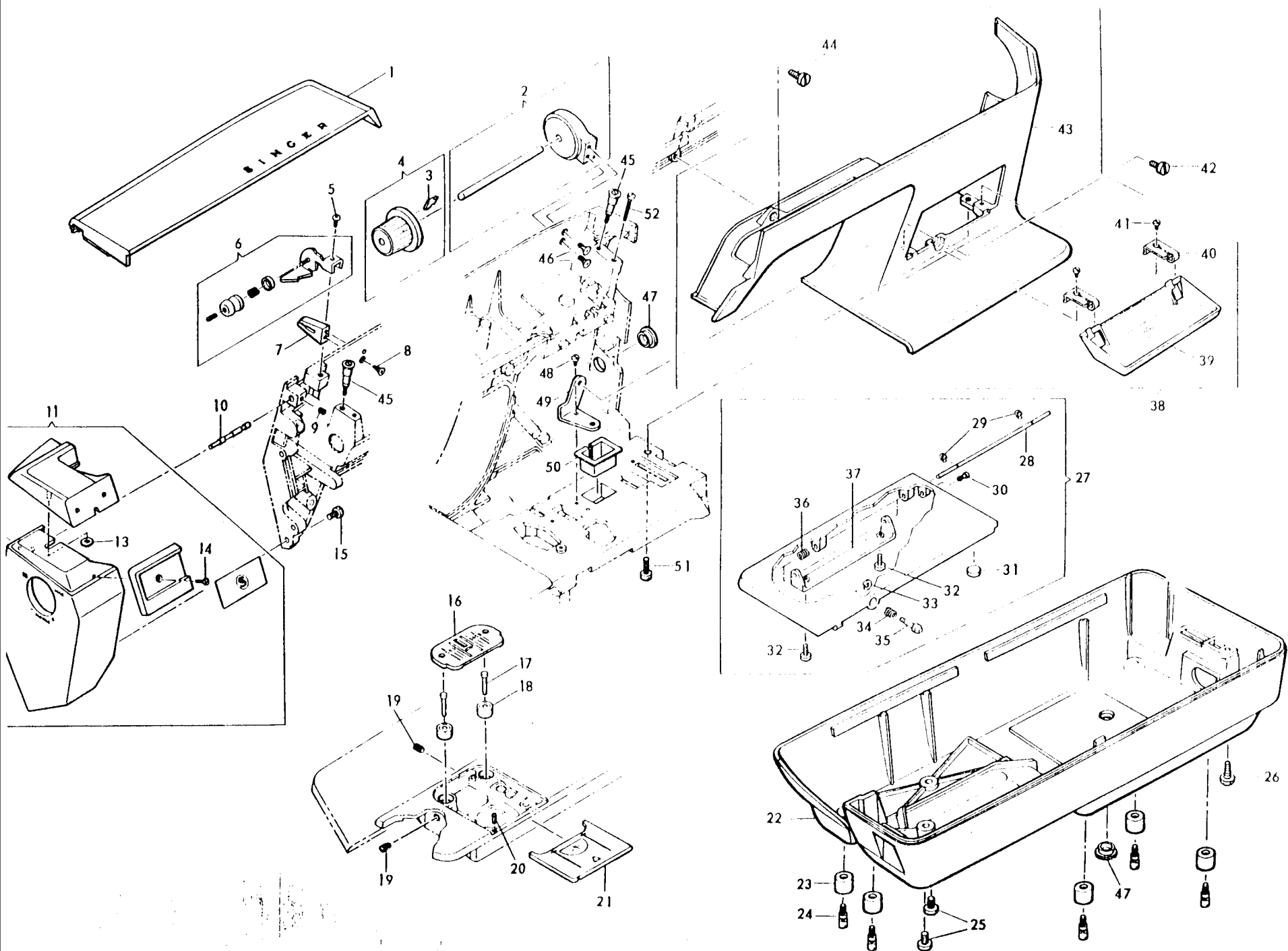
620 173 745 999

ATTACHMENT SET 381146



161166	Presser Foot Complete for Cording and Slide Fasteners
161172	Seam and Blind Stitch Hem Guide Complete
161919	Presser Foot Plate (snap-on) for Straight Sewing
171110	Blind Stitch Hem Guide
171434-451	Attachment Box (deluxe)
171438-451	Chain Stitch Attachment Loop Retainer Insert Complete
171460	Presser Foot Plate (snap-on, slotted) for Slant Overedge and Overedge Stretch Stitch
171463	Special Purpose Presser Foot Plate (snap-on)
181551	Bobbin (3) (plastic)
381039	Attachment Box Insert (foam, plastic)
381066	Presser Foot for Button Sewing
381107	Presser Foot Plate (snap-on) for Sewing Buttonholes (two-step)
381114-451	Spool Pin for Twin Needle Sewing (plastic)
381164-451	Buttonholer (one-step) Presser Foot Plate (snap-on) Complete
381244	Chain Stitch Attachment Throat Plate
381245	Throat Plate for Straight Sewing
381247	Feed Cover Plate, for Darning, Embroidery and Button Sewing
381251	Needle Package (plastic)
501750	Lint Brush
503407	Seam Ripper
505415-452	Even Feed Foot (complete)
507664-454	Arm Spool Pin Thread Lead-Off (small, plastic)
507909	Darning and Embroidery Foot (plastic)
511267	Buttonhole Marking and Measuring Gauge

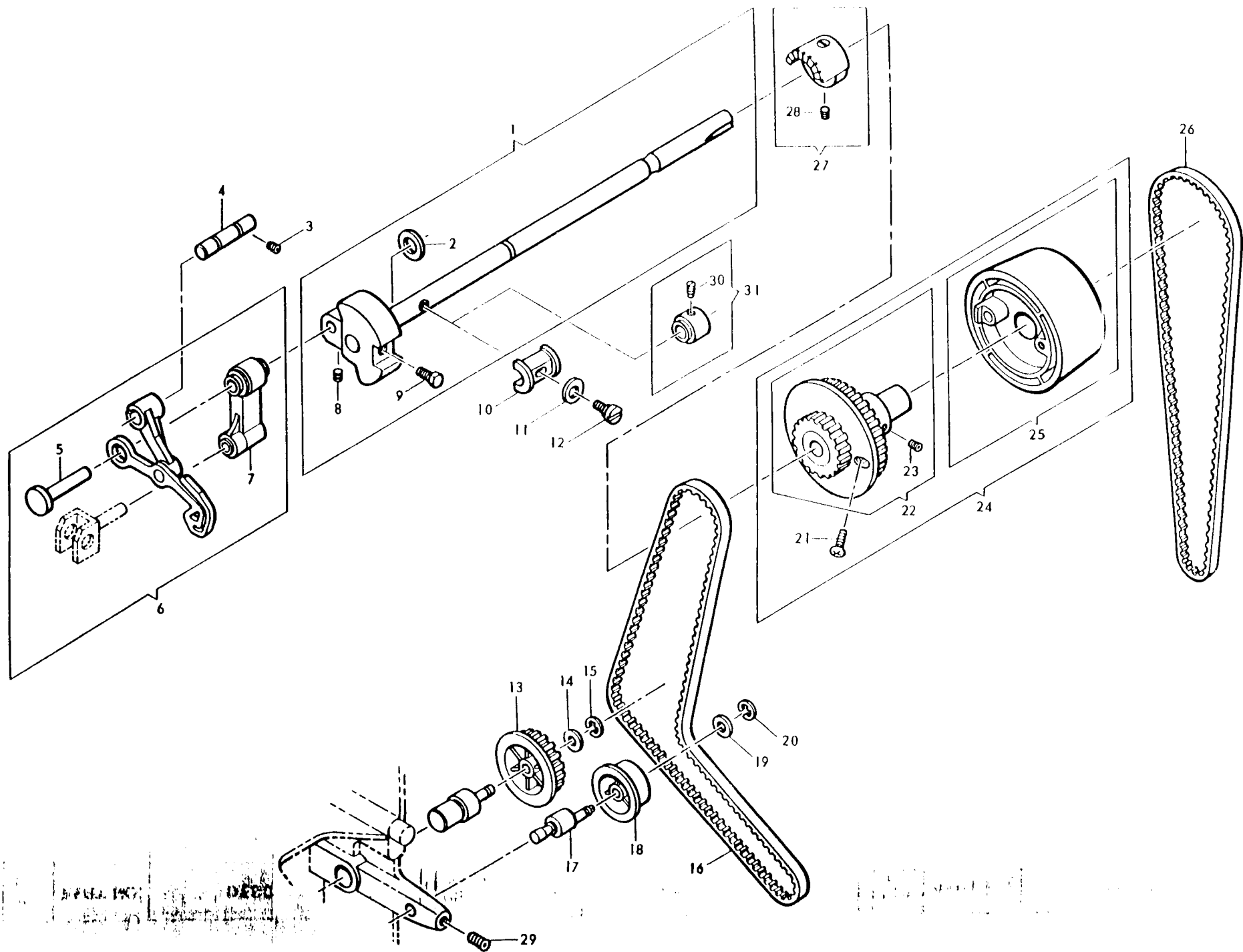
List of Parts - 2000-A Machine (COVERS AND ADD-ONS)



List of Parts - 2000-A Machine (COVERS AND ADD-ONS)

REF. NO.	PART NO.	DESCRIPTION	REF. NO.	PART NO.	DESCRIPTION	REF. NO.	PART NO.	DESCRIPTION
1	382127-451	Arm Top Cover	20	163003	Bed Slide Stop Pin	33	182195	Bed (convertible) Lid Latch Retaining Ring
2	382485-451	Arm Spool Pin Assembly	21	382801	Bed Slide with Molded Plastic Window	34	381877	Bed (convertible) Lid Latch Spring
3	163150	Arm Spool Pin Thread Lead-off Spring Clip	22	382916-451	Bed (convertible) Cover (bottom)	35	381874-451	Bed (convertible) Lid Latch (plastic)
4	163149-004	Arm Spool Pin Thread Lead-off Complete	23	381899	Bed (convertible) Cover (bottom) Cushion (5)	36	381876	Bed (convertible) Lid Hinge Spring
5	354030-451	Pre-tension Screw	24	354222-451	Bed (convertible) Cover (bottom) Cushion Screw (5)	37	382740	Bed (convertible) Lid Hinge Bracket
6	382177	Pre-tension Complete	25	354170-451	Bed (convertible) Cover (bottom) Fastening Screw (2)	38	382258-451	Arm Front Cover Assembly
7	182238-451	Thread Guide (outside, back of Arm) (plastic)	26	640145-003	Bed (convertible) Cover (bottom) Screw	39	382260-451	Arm Front Cover Lid
8	139935-451	Thread Guide (outside, back of Arm) Screw	27	382739-451	Bed (convertible) Lid complete with 182195, 381874-451, 381876, 381877, 381878, 382740, 382741, 619491-001 and two each 141860-814 and 507563	40	382262	Arm Front Cover Lid Hinge Spring (left and right) (2)
9	354204-451	Face Plate Positioning Stud Set Screw (furnished with arm and bed)	28	382741	Bed (convertible) Lid Hinge Pin	41	354121-451	Arm Front Cover Lid Hinge Spring (left and right) Screw (2)
10	382162	Face Plate Positioning Stud	29	507563	Bed (convertible) Lid Hinge Pin Retaining Ring (2)	42	141824-814	Arm Front Cover Screw (right)
11	382589-451	Face Plate Complete	30	381878	Bed (convertible) Lid Positioning Button (plastic)	43	382257-451	Arm Front Cover
12	140490-819	Face Plate Screw (upper)	31	619491-001	Bed (convertible) Lid Pad	44	354293-451	Arm Front Cover Screw (left)
13	382629	Face Plate Top Retaining Clip	32	141860-814	Bed (convertible) Lid Hinge Bracket Screw (2)	45	382650	Arm Top Cover Guide Screw Stud (2)
14	354074-451	Face Plate Medallion Screw				46	354491-451	Arm Spool Pin Holder Screw (2)
15	354563-451	Face Plate Screw (lower)				47	381893-451	Arm Access Hole Plug (2)
16	382806	Throat Plate				48	141824-814	Arm Front Cover Mounting Bracket Screw
17	174256	Throat Plate Catch Pin (2)				49	382565	Arm Front Cover Mounting Bracket Grommet (plastic)
18	507196	Throat Plate Securing Magnet (2)				50	604537-001	Arm Front Cover Screw (bottom)
19	141825-830	Throat Plate Catch Pin Screw (2) (furnished with arm and bed)				51	354020-451	Linear Servo P. C. Board Screw

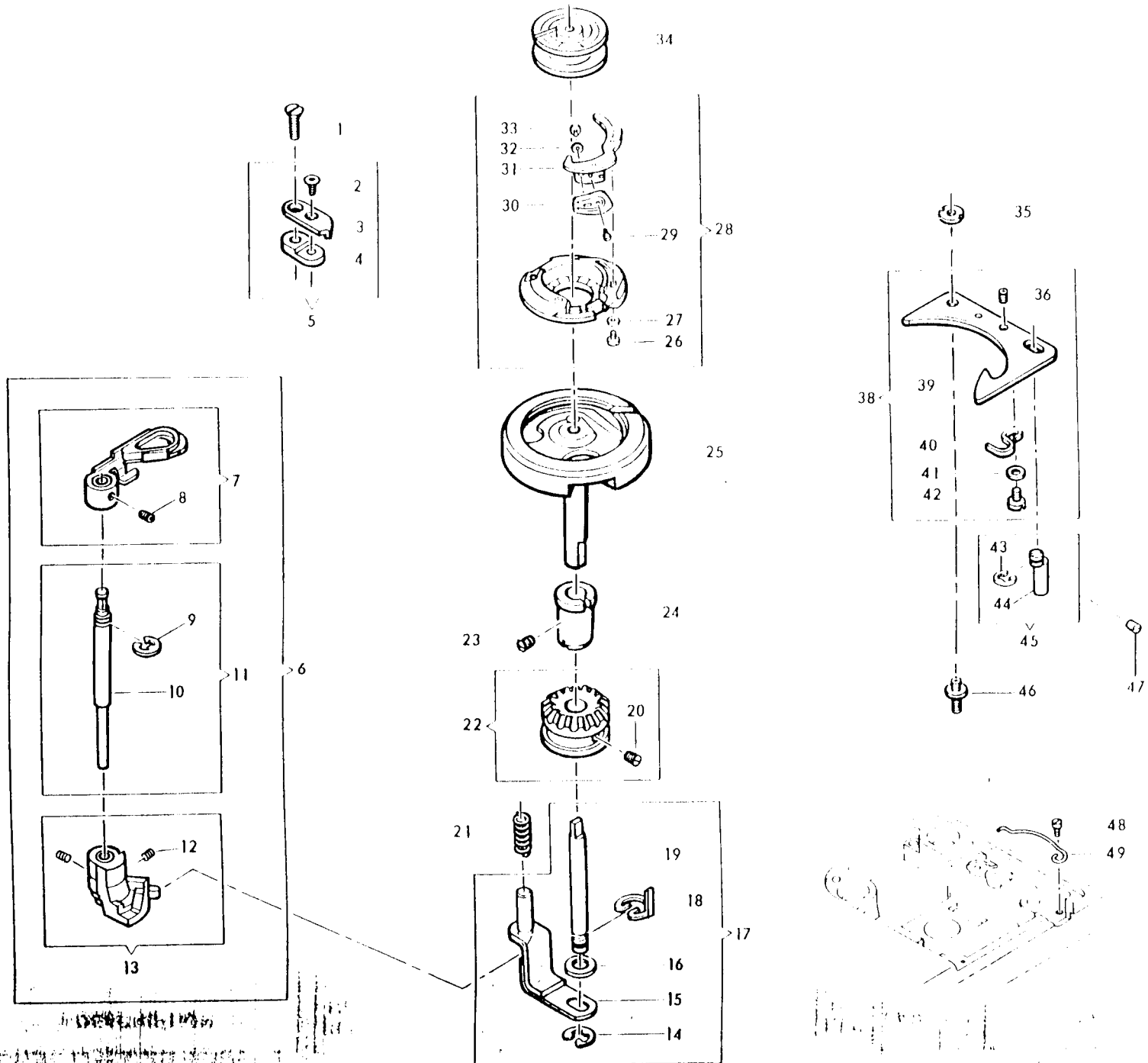
List of Parts - 2000-A Machine (NEEDLE BAR DRIVE AND HAND WHEEL)



List of Parts - 2000-A Machine (NEEDLE BAR DRIVE AND HAND WHEEL)

REF. NO.	PART NO.	DESCRIPTION	REF. NO.	PART NO.	DESCRIPTION	REF. NO.	PART NO.	DESCRIPTION
1	382231	Arm Shaft (horizontal) Assembly	10	181608	Arm Shaft (horizontal) Collar (plastic)	18	382255	Belt Idler Pulley (small, plastic)
2	181620	Needle Bar Crank Washer (plastic)	11	382744	Arm Shaft (horizontal) Collar Clamping Washer (eccentric)	19	382787	Belt Idler Pulley (small) Thrust Washer
3	354328-451	Thread Take-up Lever Link Hinge Stud Set Screw (furnished with arm and bed)	12	354527-451	Arm Shaft (horizontal) Collar Screw	20	151576	Belt Idler Pulley (small) Retaining Ring
4	181625	Thread Take-up Lever Link Hinge Stud	13	382254	Belt Idler Pulley (large, plastic)	21	354317-451	Hand Wheel Screw
5	172941	Thread Take-up Stud	14	382787	Belt Idler Pulley (large) Thrust Washer	22	382320	Hand Wheel Pulley with 354201-451
6	382851	Thread Take-up Lever Assembly	15	151576	Belt Idler Pulley (large) Retaining Ring	23	354201-451	Hand Wheel Pulley Set Screw
7	382776	Needle Bar Connecting Link (plastic)	16	181732	Belt (Timing)	24	382438-452	Hand Wheel Complete for Agents
8	354565-451	Thread Take-up Stud Set Screw	17	382256	Belt Idler Pulley (small) Stud (eccentric)	25	382319-454	Hand Wheel
9	139999-451	Needle Bar Crank Position Screw				26	603975-002	Belt Motor
						27	382784	Shunt Holder Assembly with 354506-451 and 354152-451
						28	354506-452	Shunt Holder Set Screw
						29	354505-451	Belt Idler Pulley (small) Stud (eccentric) Set Screw
						30	354565-451	Arm Shaft (horizontal) Collar Set Screw
						31	382897	Arm Shaft (horizontal) Collar with 354565-451

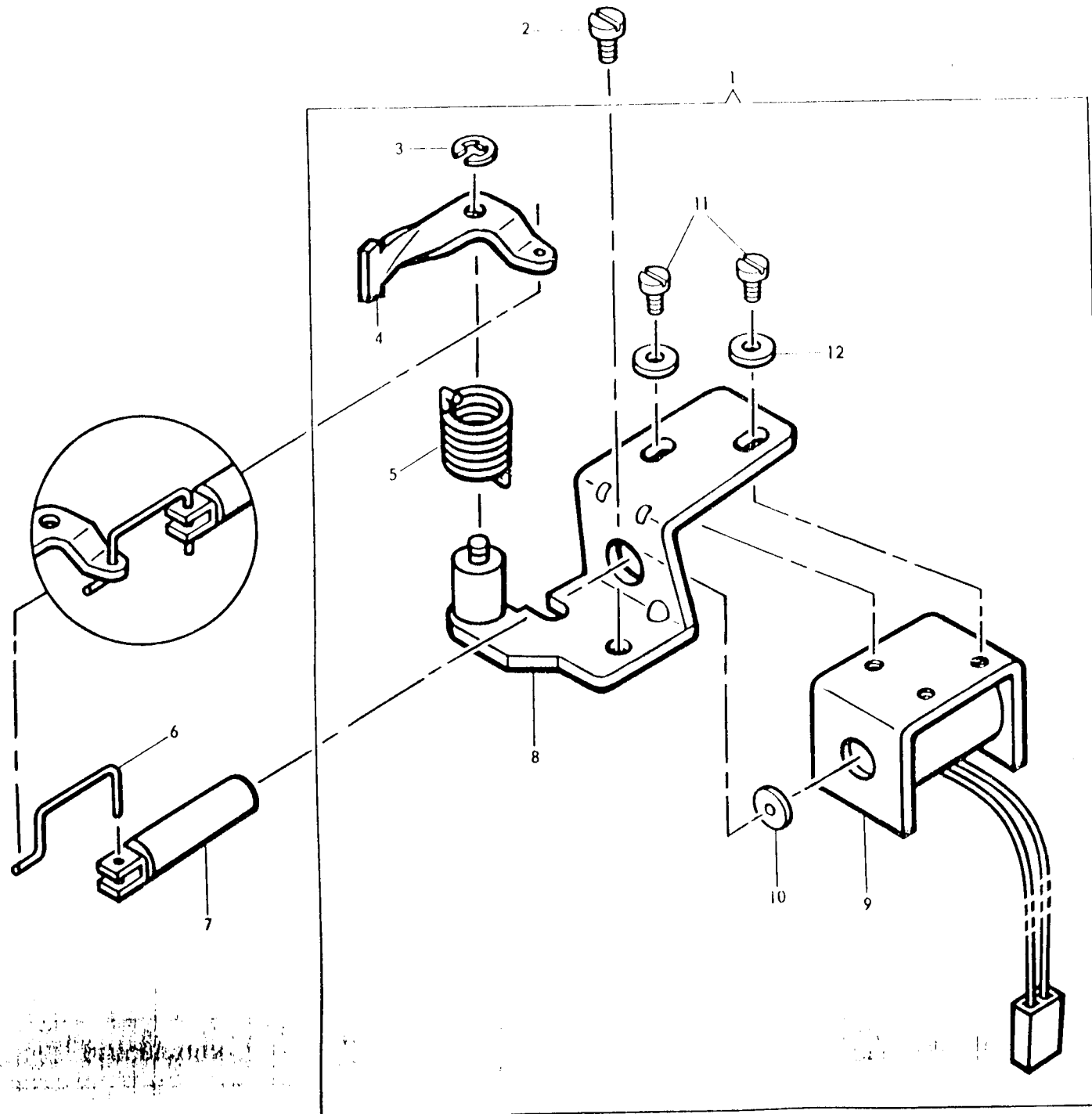
List of Parts - 2000-A Machine (HOOK AREA)



List of Parts - 2000-A Machine (HOOK AREA)

REF. NO.	PART NO.	DESCRIPTION	REF. NO.	PART NO.	DESCRIPTION	REF. NO.	PART NO.	DESCRIPTION
1	354148-452	Rotating Hook Bobbin Case Position Finger Screw	17	181563-900	Rotating Hook Bobbin Driving Shaft 181562 with 153884, 181564, 181565 and 181576	34	181551	Rotating Hook Bobbin
2	354474-451	Rotating Hook Bobbin Case Position Finger Adjusting Screw	18	181564	Rotating Hook Bobbin Driving Shaft Clutch Spring	35	54594-451	Rotating Hook Bobbin Case Position Plate Screw Nut
3	181554	Rotating Hook Bobbin Case Position Finger	19	181562	Rotating Hook Bobbin Driving Shaft	36	354190-451	Rotating Hook Bobbin Case Position Plate Adjusting Screw
4	381665	Rotating Hook Bobbin Case Position Finger Mounting Plate	20	141338-869	Rotating Hook Bevel Gear Set Screw	38	381849	Rotating Hook Bobbin Case Position Plate 181555 with 354190-451, 354215-451, 381884 and 381885
5	381847	Rotating Hook Bobbin Case Position Finger 181554 with 354474-451 and 381665	21	163791	Rotating Hook Bobbin Winder Actuating Lever Shaft Cam Follower Spring	39	181555	Rotating Hook Bobbin Case Position Plate
6	382341	Rotating Hook Bobbin Winder Actuating Lever 382326 with 381958	22	382879	Rotating Hook Bevel Gear with 141338-869	40	381884	Rotating Hook Bobbin Case Cushion Spring
7	382326	Rotating Hook Bobbin Winder Actuating Lever	23	139878-869	Rotating Hook Flanged Bushing (eccentric) Set Screw	41	381885	Rotating Hook Bobbin Case Cushion Spring Washer
8	354247-451	Rotating Hook Bobbin Winder Actuating Lever Hub Set Screw	24	181581	Rotating Hook Flanged Bushing (eccentric)	42	354215-451	Rotating Hook Bobbin Case Cushion Spring Screw
9	165472	Rotating Hook Bobbin Winder Actuating Lever Shaft Retaining Ring	25	181549	Rotating Hook	43	151576	Rotating Hook Bobbin Case Position Plate Adjusting Stud (eccentric) Retaining Ring
10	381959	Rotating Hook Bobbin Winder Actuating Lever Shaft	26	139995-452	Rotating Hook Bobbin Case Tension Spring Bracket Screw	44	181556-001	Rotating Hook Bobbin Case Position Plate Adjusting Stud (eccentric)
11	381960	Rotating Hook Bobbin Winder Actuating Lever Shaft 381959 with 165472	27	381694	Rotating Hook Bobbin Case Tension Spring Bracket Screw Washer	45	382470	Rotating Hook Bobbin Case Position Plate Adjusting Stud (eccentric) 181556-001 with 151576
12	354247-451	Rotating Hook Bobbin Winder Actuating Lever Shaft Cam Set Screw (2)	28	382986	Rotating Hook Bobbin Case with 139995-452, 181549-001, 354164-451, 354299-451, 381694 381996 and 382449	46	354150-452	Rotating Hook Bobbin Case Position Plate Screw
13	381958	Rotating Hook Bobbin Winder Actuating Lever Shaft Cam With two 354247-451	29	354164-451	Rotating Hook Bobbin Case Tension Spring Clamping Screw	47	141822-451	Rotating Hook Bobbin Case Position Plate Adjusting Stud (eccentric) Set Screw
14	153884	Rotating Hook Bobbin Driving Shaft Retaining Ring	30	382449	Rotating Hook Bobbin Case Tension Spring	48	354392-451	Bed Slide Tension Spring
15	181576	Rotating Hook Bobbin Winder Lifting Bracket	31	181559-001	Rotating Hook Bobbin Case Tension Spring Bracket	49	381988	Bed Slide Tension Spring
16	181565	Rotating Hook Bobbin Driving Shaft Spacer (plastic)	32	381996	Rotating Hook Bobbin Case Tension Spring Regulating Screw Friction Washer (plastic)			
			33	354299-451	Rotating Hook Bobbin Case Tension Spring Regulating Screw			

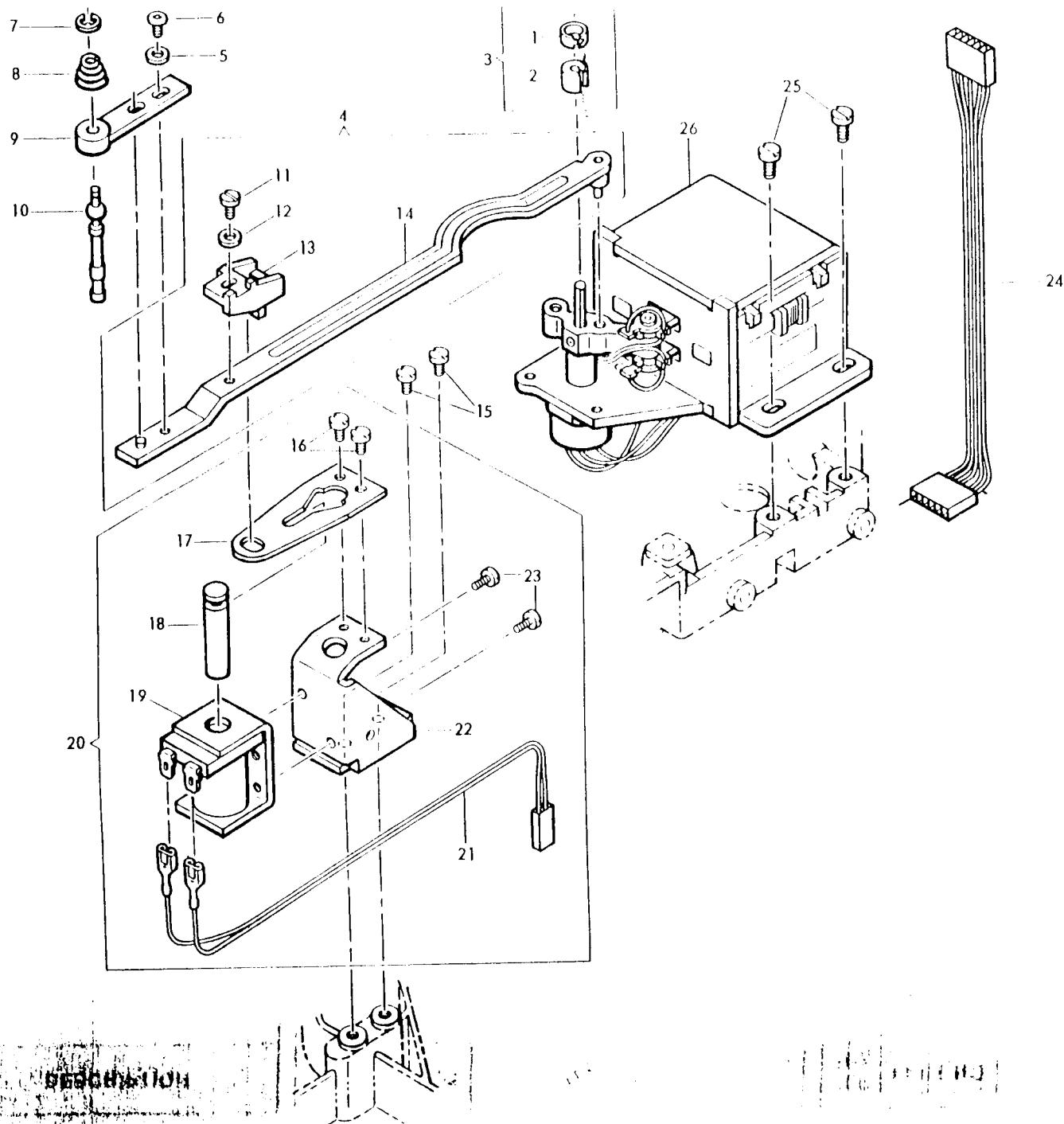
List of Parts - 2000-A Machine (NEEDLE BAR RELEASE)



List of Parts - 2000-A Machine (NEEDLE BAR RELEASE)

REF. NO.	PART NO.	DESCRIPTION	REF. NO.	PART NO.	DESCRIPTION	REF. NO.	PART NO.	DESCRIPTION
1	382245	Needle Bar Release Mechanism Mounting Bracket Complete	5	382825	Needle Bar Release Actuating Lever Return Spring	9	382676	Needle Bar Release Solenoid Assembly
2	354090-451	Needle Bar Release and Tension Mounting Screw	6	382649	Needle Bar Release Actuating Lever Connecting Link	10	604678-901	Straight Stitch Safety Solenoid Plunger Cushion (rubber)
3	165472	Needle Bar Release Actuating Lever Retaining Ring	7	382778	Needle Bar Release Solenoid Plunger	11	354121-451	Needle Bar Release Solenoid Mounting Screw (2)
4	382647	Needle Bar Release Actuating Lever	8	382646	Needle Bar Release Mechanism Mounting Bracket Assembly	12	931868-008	Needle Bar Release Solenoid Mounting Screw Washer (2)

List of Parts - 2000-A Machine (BIGHT DRIVE MECHANISM, LINEAR MOTOR)



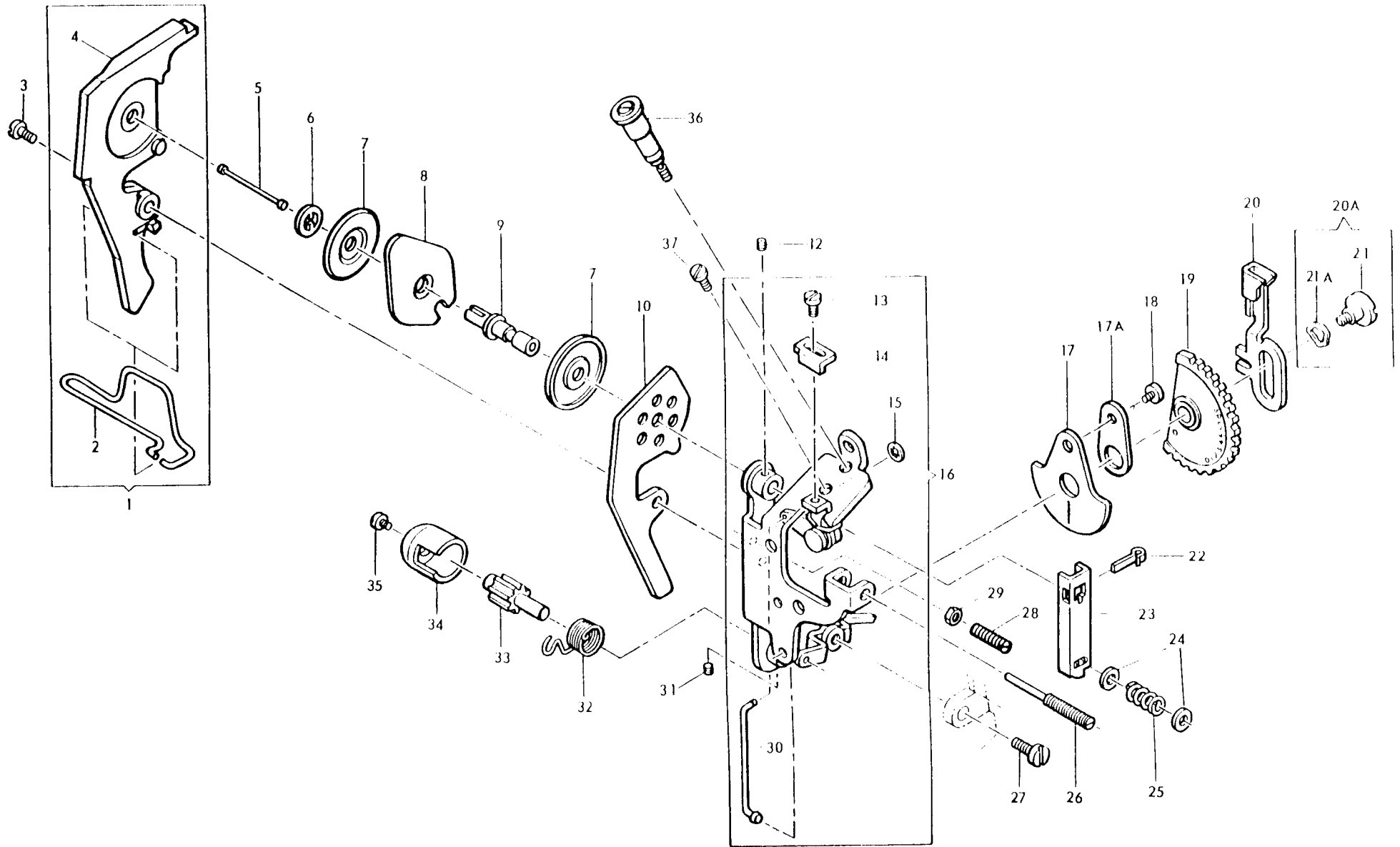
List of Parts - 2000-A Machine (BIGHT DRIVE MECHANISM, LINEAR MOTOR)

REF. NO.	PART NO.	DESCRIPTION	REF. NO.	PART NO.	DESCRIPTION	REF. NO.	PART NO.	DESCRIPTION
1	382788	Needle Bar Driving Arm	11	354267-451	Needle Bar Driving Arm	20	382936	Needle Bar Driving Arm
		Spacer Clamping Ring			Stud Mounting Screw			Positioning Solenoid Complete
2	382604	Needle Bar Driving Arm	12	931858-008	Needle Bar Driving Arm Stud	21	605626-901	Harness Complete (2 pin)
		Spacer (plastic)			Mounting Screw Washer			(straight stitch safety
3	382823	Needle Bar Driving Arm	13	382841	Needle Bar Driving Arm Stud			solenoid to logic)
		Spacer 382604 with 382788			(plastic)	22	382935	Needle Bar Driving Arm
4	382966	Needle Bar Driving Arm	14	382843	Needle Bar Driving Arm			Positioning Solenoid Mounting
		Assembly	15	141854-809	Needle Bar Driving Arm			Bracket
5	931929-004	Needle Bar Driving Arm			Positioning Solenoid Mounting	23	354121-451	Needle Bar Driving Arm
		Ball Joint Screw Washer			Bracket Screw (2)			Positioning Solenoid Mounting
6	354232-451	Needle Bar Driving Arm	16	354037-451	Needle Bar Driving Arm			Screw (2)
		Ball Joint Screw			Positioning Lever Mounting	24	605632-001	Harness Complete (bight motor
7	381726	Needle Bar Driving Arm			Screw (?)			to servo board)
		Ball Joint Retaining Ring	17	382639	Needle Bar Driving Arm	25	354090-451	Bight Drive Linear Motor
8	382602	Needle Bar Driving Arm			Positioning Lever			Mounting Screw (2)
		Ball Joint Spring	18	382640	Straight Stitch Safety	26	382290	Bight Drive Linear Motor
9	382600	Needle Bar Driving Arm			Solenoid Plunger			Assembly
		Ball Joint (plastic)	19	605619-901	U-Frame Solenoid (straight			
10	382601	Needle Bar Vibrating			stitch safety)			
		Bracket Ball Stud						

LINEAR
 SERVO
 BOARD
 #270R
 988023001
 (Logic Board)

Motor
 Adjust
 #604
 28001
 Potentiometer
 #382236
 will also work
 on feed mechanism

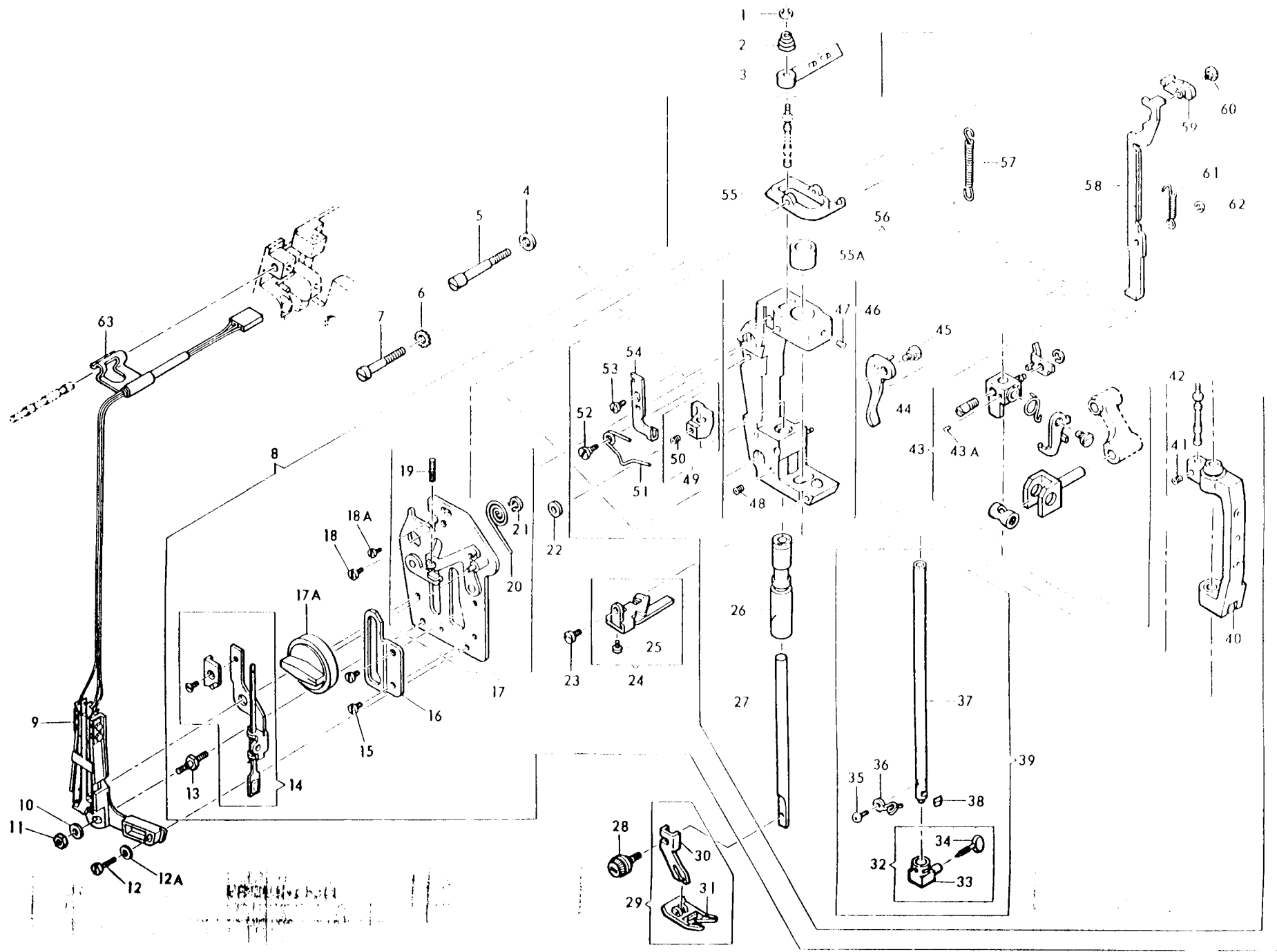
List of Parts - 2000-A Machine (TENSION MODULE)



List of Parts - 2000-A Machine (TENSION MODULE)

REF. NO.	PART NO.	DESCRIPTION	REF. NO.	PART NO.	DESCRIPTION	REF. NO.	PART NO.	DESCRIPTION
1	382082-451	Thread Take-up Spring Thread Guard with 382081-451, and 381883	16	382079	Tension Mounting Bracket	26	181873-453	Tension Adjusting Screw
2	381883	Thread Take-up Spring Thread Guard Bar	17	182222	Tension Indicator (plastic)	27	354419-451	Tension Release Lever Actuator Hinge Bushing Support Screw
3	354236-451	Thread Take-up Spring Thread Guard Screw	17A	381933	Tension Indicator Spacer	28	354167-451	Tension Regulating Slide Positioning Screw
4	382081-451	Thread Take-up Spring Thread Guard (plastic)	18	141697-814	Tension Indicator Screw	29	53637-803	Tension Regulating Slide Positioning Screw Nut
5	181857	Tension Disc Pressure Pin	19	181848-451	Tension Indicator Dial (plastic)	30	381582	Tension Release Lever Connection
6	174398	Tension Disc Pressure Plate	20	181854	Tension Regulating Slide	31	354048-451	Tension Stud Set Screw
7	382586	Tension Disc (small) (2)	20A	383086	Tension Indicator Dial Hinge Screw and Friction Washer Re- pair Kit	32	181872	Thread Take-up Spring
8	382603	Tension Disc (large)	21	354622-451	Tension Indicator Dial Hinge Screw	33	181875	Thread Take-up Spring Stud and Position Collar
9	382587	Tension Stud	21A	506479	Tension Indicator Dial Hinge Screw Friction Washer	34	181861-451	Thread Take-up Spring Cap and Slack Thread Regulator (plastic)
10	382080-451	Tension Thread Guard	22	172906	Tension Regulating Slide Plate Spring Clip	35	354049-451	Thread Take-up Spring Adjusting Screw
12	354048-451	Tension Take-up Spring Stud Set Screw	23	181855	Tension Regulating Slide Plate	36	382651	Arm Top Cover Guide Screw Stud
13	141862-814	Tension Release Lever Adjusting Plate Screw	24	172731	Tension Adjusting Screw Washer (2)	37	354090-451	Needle Bar Release and Tension Mounting Screw
14	381719	Tension Release Lever Adjusting Plate	25	181877	Tension Spring			
15	171272	Tension Release Lever Connection Retaining Ring						

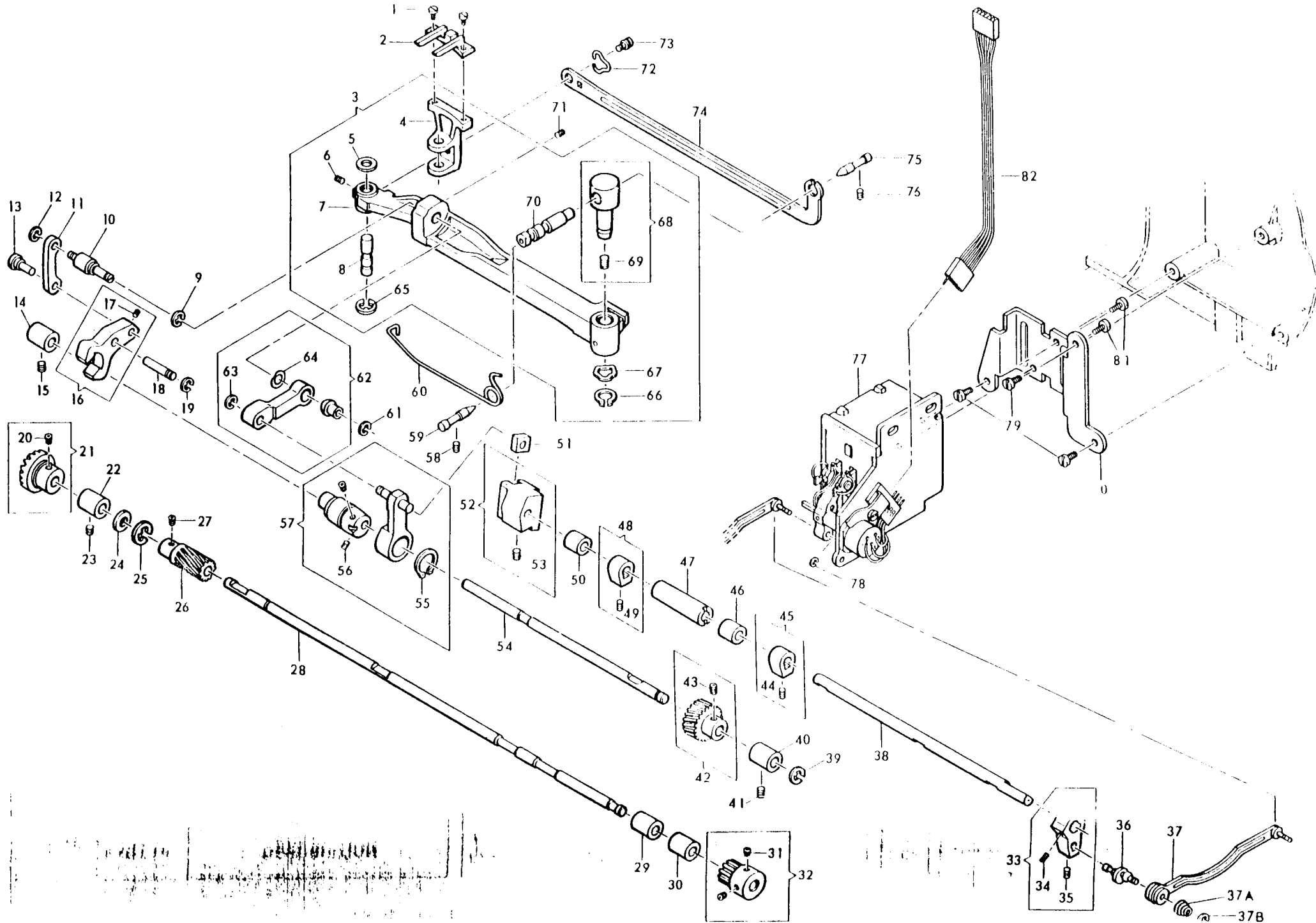
List of Parts - 2000-A Machine (HEAD END MODULE)



List of Parts - 2000-A Machine (HEAD END MODULE)

REF. NO.	PART NO.	DESCRIPTION	REF. NO.	PART NO.	DESCRIPTION	REF. NO.	PART NO.	DESCRIPTION
1	381726	Needle Bar Driving Arm Pin Retaining Ring	19	354046-451	Presser Bar Pressure Regulating Lever Set Screw	47	141861-451	Needle Bar Vibrating Bracket Bushing (upper) Set Screw
2	382602	Needle Bar Driving Arm Ball Joint Spring	20	181687	Presser Bar Spring	48	354186-451	Presser Bar Bushing Set Screw
3	382600	Needle Bar Driving Arm Ball Joint	21	182150	Presser Bar Spring Retaining Ring	49	182118	Presser Bar Guide Bracket with 354120-451
4	181860-451	Needle Bar Vibrating Bracket Frame Positioning and Hinge Screw (upper) Washer	22	381593	Presser Bar Spring Lever Guide Wheel	50	354120-451	Presser Bar Guide Bracket Set Screw
5	354025-451	Needle Bar Vibrating Bracket Frame Positioning and Hinge Screw (upper)	23	354160-451	Thread Smubber Mounting Screw	51	182237	Needle Bar Recoil Spring
6	381905	Needle Bar Vibrating Bracket Frame Screw (lower) Lock Washer	24	382769	Thread Smubber with 354500-451	52	354119-451	Needle Bar Recoil Spring Screw
7	354026-451	Needle Bar Vibrating Bracket Frame Screw (lower)	25	354500-451	Thread Smubber Adjusting Screw	53	354121-451	Needle Bar Recoil Spring Bracket (adjustable) Screw
8	383036	Head End Module	26	181947	Presser Bar Bushing	54	381587	Needle Bar Recoil Spring Bracket (adjustable)
9	604965-001	Buttonholer Switch and Leads Assembly	27	172068	Presser Bar	55	382229	Needle Bar High Lift Releasing Bracket Adjusting Bracket
10	382947	Buttonholer Switch Screw Stud Washer	28	181919	Presser Foot Thumb Screw and Bobbin Winder Thread Holder	55A	382374	Needle Bar Vibrating Bracket Bushing (upper)
11	54600-451	Buttonholer Switch Screw Stud Nut	29	163839	Presser Foot Plate (snap-on) Compl. for Zig-zag Sewing	56	383038	Needle Bar Vibrating Bracket Frame 382644 with 181674, 181947, 182237, 354010-451, 354063-451, 354119-451, 354120-451, 354121-451, 381857, 381687, 381947, 382071, 382374, 382601 and 383032
12	141858-814	Buttonholer Switch Locking Screw	30	163706	Presser Foot Shank (snap-on)			
12A	382947	Buttonholer Switch Locking Screw Washer	31	163710	Presser Foot Plate (snap-on) for Zig-zag Sewing			
13	354585-451	Buttonholer Switch Screw Stud	32	163123	Needle Clamp Body 163122 with 140751-853			
14	382942	Buttonholer Kick-Out Tripping Rod Lever	33	163122	Needle Clamp Body	57	381586	Needle Bar Lifting Spring
15	141862-814	Tension Release Lever Adjusting Plate Screw (2)	34	140751-853	Needle Thumb Screw	58	382228	Needle Bar High Lift Releasing Bracket
16	382847	Needle Bar Clamping and Guide Screw Alignment Plate	35	354009-451	Needle Clamp Body, Needle Clamp Thread Guide and Needle Stop Screw	59	383061	Needle Bar High Lift Releasing Bracket Retainer
17	383031	Presser Bar Pressure Regulating Dial Mounting Plate	36	163431	Needle Clamp Thread Guide	60	354618-451	Needle Bar High Lift Releasing Bracket Retainer Screw
17A	382065-451	Presser Bar Pressure Regulating Dial (plastic, with graphics)	37	181651	Needle Bar	61	382643	Needle Bar High Lift Releasing Bracket Spring
18	354195-451	Presser Bar Pressure Regulating Dial Mounting Plate Screw	38	163822	Needle Bar G1b	62	14494	Needle Bar Lifting Spring Retaining Ring
18A	141824-814	Needle Bar High Lift Releasing Bracket Adjusting Bracket Screw	39	381687	Needle Bar Complete	63	382768	Harness Grommet Retaining Clip
			40	382071	Needle Bar Vibrating Bracket			
			41	354063-451	Needle Bar Vibrating Bracket Ball Stud Set Screw			
			42	382601	Needle Bar Vibrating Bracket Ball Stud			
			43	383032	Needle Bar Latch Carrier Compl.			
			43A	354443-451	Needle Bar Latch Adjusting Stud (eccentric) Set Screw			
			44	381947	Presser Bar Lifter			
			45	354010-451	Presser Bar Lifter Hinge Screw			
			46	382644	Needle Bar Vibrating Bracket Frame			

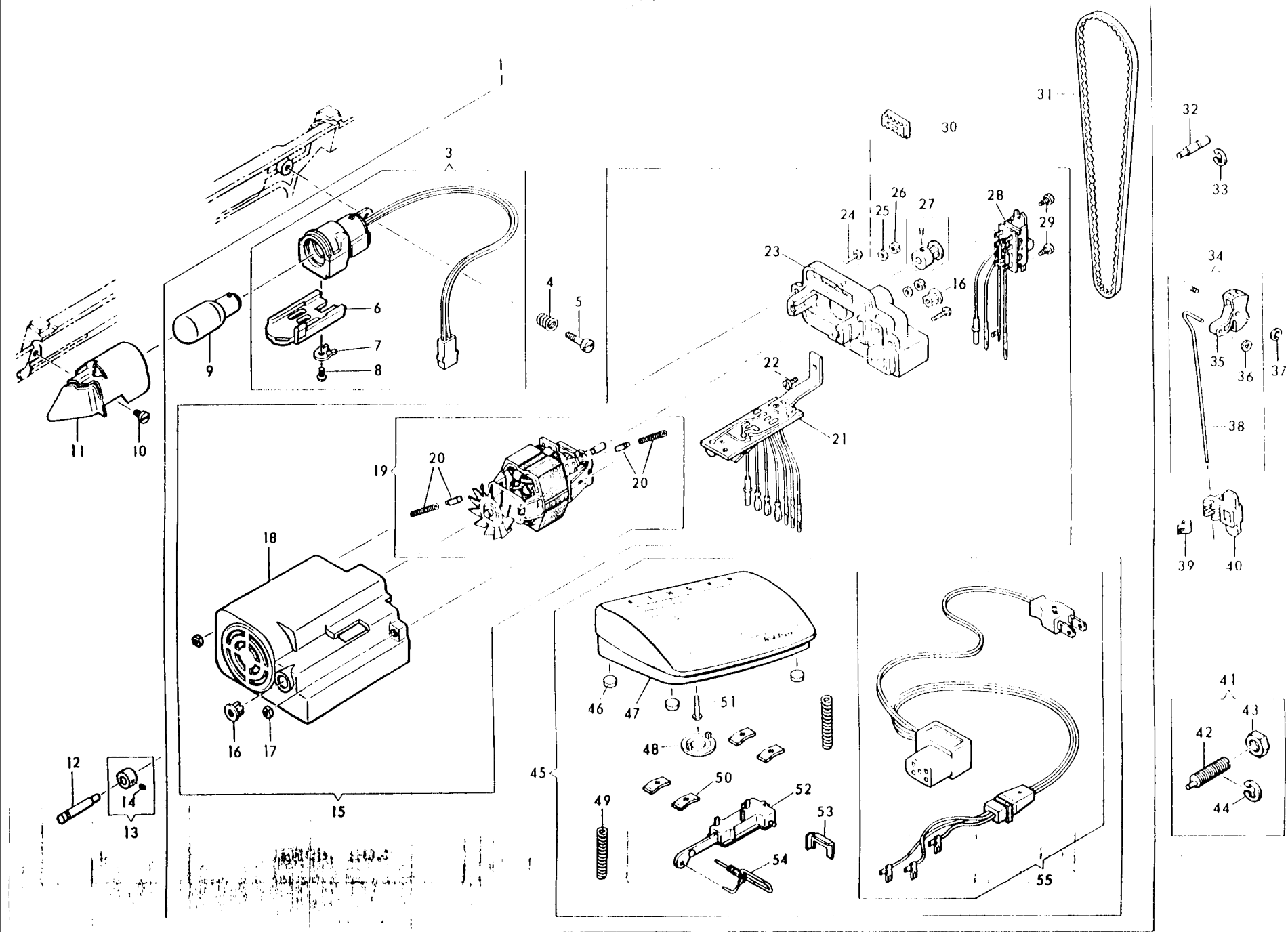
List of Parts - 2000-A Machine (FEED DRIVE MECHANISM)



List of Parts - 2000-A Machine (FEED DRIVE MECHANISM)

REF. NO.	PART NO.	DESCRIPTION	REF. NO.	PART NO.	DESCRIPTION	REF. NO.	PART NO.	DESCRIPTION
1	141896-830	Feed Dog Screw (2)	31	141338-869	Rotating Hook Drive Shaft Belt Pulley Set Screw (2)	59	182199	Feed Bar Pivot Hinge Stud Adjusting Pin (eccentric) Center (front)
2	181843	Feed Dog	32	174282-001	Rotating Hook Drive Shaft Belt Pulley with two 141338-869	60	182239	Feed Bar Spring
3	382807	Feed Bar with Machined Feed Dog Holder	33	382296-001	Feed Regulator Shaft Crank with 139878-869 and 354088-451	61	163562	Feed Bar Connection and Feed Lifting Fork Connection Hinge Stud (eccentric) Retaining Ring (right)
4	174215	Feed Dog Holder	34	139878-869	Feed Regulator Shaft Crank Set Screw	62	381806	Feed Bar Connection with 151576 and 172947
5	174251	Feed Dog Holder Washer	35	354088-451	Feed Regulator Shaft Crank Hinge Stud (eccentric) Set Screw	63	151576	Feed Bar Connection Retaining Ring (left)
6	139878-869	Feed Dog Holder Stud Set Screw	36	382894	Feed Regulator Shaft Crank Hinge Stud (eccentric)	64	172947	Feed Bar Connection and Feed Lifting Fork Connection Hinge Stud (eccentric) Spring Washer
7	174243	Feed Bar with 139878-869 and 141812-830	37	382893	Feed Regulator Shaft Crank Connecting Link	65	163562	Feed Dog Holder Stud Retaining Ring
8	174217	Feed Dog Holder Stud	37A	382602	Feed Regulator Shaft Crank Connecting Link Friction Spring	66	172876	Feed Bar Pivot Hinge Stud Retaining Ring
9	163562	Feed Bar Connection and Feed Lifting Fork Connection Hinge Stud (eccentric) Retaining Ring (left)	37B	381726	Feed Regulator Shaft Crank Connecting Link Retaining Ring	67	511211	Feed Bar Pivot Hinge Stud Spring Washer
10	174247	Feed Bar Connection and Feed Lifting Fork Connection Hinge Stud (eccentric)	38	382294-001	Feed Regulator Shaft	68	174214	Feed Bar Pivot Hinge Stud with 141801-830
11	511016	Feed Lifting Fork Connection	39	163562	Feed Drive Shaft Retaining Ring	69	141801-830	Feed Bar Pivot Hinge Stud Lock Screw
12	163562	Feed Lifting Fork Connection Retaining Ring	40	182117	Feed Drive Shaft Bushing (right)	70	381833	Feed Bar Pivot Hinge Stud Adjusting Pin (eccentric)
13	174220	Feed Lifting Fork Connection Hinge Stud (eccentric)	41	141822-451	Feed Drive Shaft Bushing (right) Set Screw	71	141812-830	Feed Bar Connection and Feed Lifting Fork Connection Hinge Stud (eccentric) Set Screw
14	182117	Feed Drive Shaft Bushing (left)	42	174491	Feed Drive Shaft Gear (helical, plastic) with 141772-869	72	511075	Feed Dog Holder Compensating Link Retaining Spring
15	141822-451	Feed Drive Shaft Bushing (left) Set Screw	43	141772-869	Feed Drive Shaft Gear (helical, plastic) Set Screw	73	141827-803	Feed Dog Holder Compensating Link Screw Stud
16	174276	Feed Lifting Fork with 141802-869	44	141802-869	Feed Regulator Shaft Collar Set Screw	74	174216	Feed Dog Holder Compensating Link
17	141802-869	Feed Lifting Fork Connection Hinge Stud (eccentric) Set Screw	45	181900	Feed Regulator Shaft Collar with 141802-869	75	382722	Feed Bar Pivot Hinge Stud Adjusting Pin (eccentric) Center (back)
18	174221	Feed Lifting Fork Hinge Stud	46	382628	Feed Regulator Shaft Spacer	76	354163-451	Feed Bar Pivot Hinge Stud Adjusting Pin (eccentric) Center (back) Set Screw
19	163562	Feed Lifting Fork Hinge Stud Retaining Ring	47	382085	Feed Regulator Shaft Bushing (right)	77	382290	Feed Drive Linear Motor Assembly
20	141338-869	Rotating Hook Drive Shaft Bevel Gear (plastic) Set Screw	48	181900	Feed Regulator Shaft Collar with 141802-869	78	172673	Feed Regulator Shaft Crank Connecting Link Hinge Stud Retaining Ring
21	163331	Rotating Hook Drive Shaft Bevel Gear (plastic) with 141338-869	49	141802-869	Feed Regulator Shaft Collar Set Screw	79	141824-814	Feed Drive Linear Motor Mounting Bracket Screw (3)
22	182117	Rotating Hook Drive Shaft Bushing (left)	50		Supplied with Arm and Bed	80	382285	Feed Drive Linear Motor Mounting Bracket
23	141822-451	Rotating Hook Drive Shaft Bushing (left) Set Screw	51	511030	Feed Regulator Slide Block	81	354538-451	Feed Drive Linear Motor Mounting Bracket Screw (2)
24	181957-451	Rotating Hook Drive Shaft Thrust Washer	52	381686	Feed Regulator with 141818-869	82	605633-001	Harness Complete (feed motor to servo board)
25	163562	Rotating Hook Drive Shaft Thrust Washer Retaining Ring	53	141818-869	Feed Regulator Set Screw			
26	174488	Feed Drive Shaft Driving Gear (helical, plastic) with 141772-869	54	181598	Feed Drive Shaft			
27	141772-869	Feed Drive Shaft Driving Gear (helical, plastic) Set Screw	55	174277	Feed Regulator Slide Block Drive Connection Retaining Ring			
28	181579	Rotating Hook Drive Shaft	56	141802-869	Feed Lifting Cam and Feed Eccentric Set Screw (2)			
29	182247	Rotating Hook Drive Shaft Bushing (Intermediate)	57	172880	Feed Regulator Slide Block Drive Connection Complete			
30	182117	Rotating Hook Drive Shaft Bushing (right)	58	139878-869	Feed Bar Pivot Hinge Stud Adjusting Pin (eccentric) Center (front) Set Screw			

List of Parts - 2000-A Machine (ELECTRICAL PARTS)

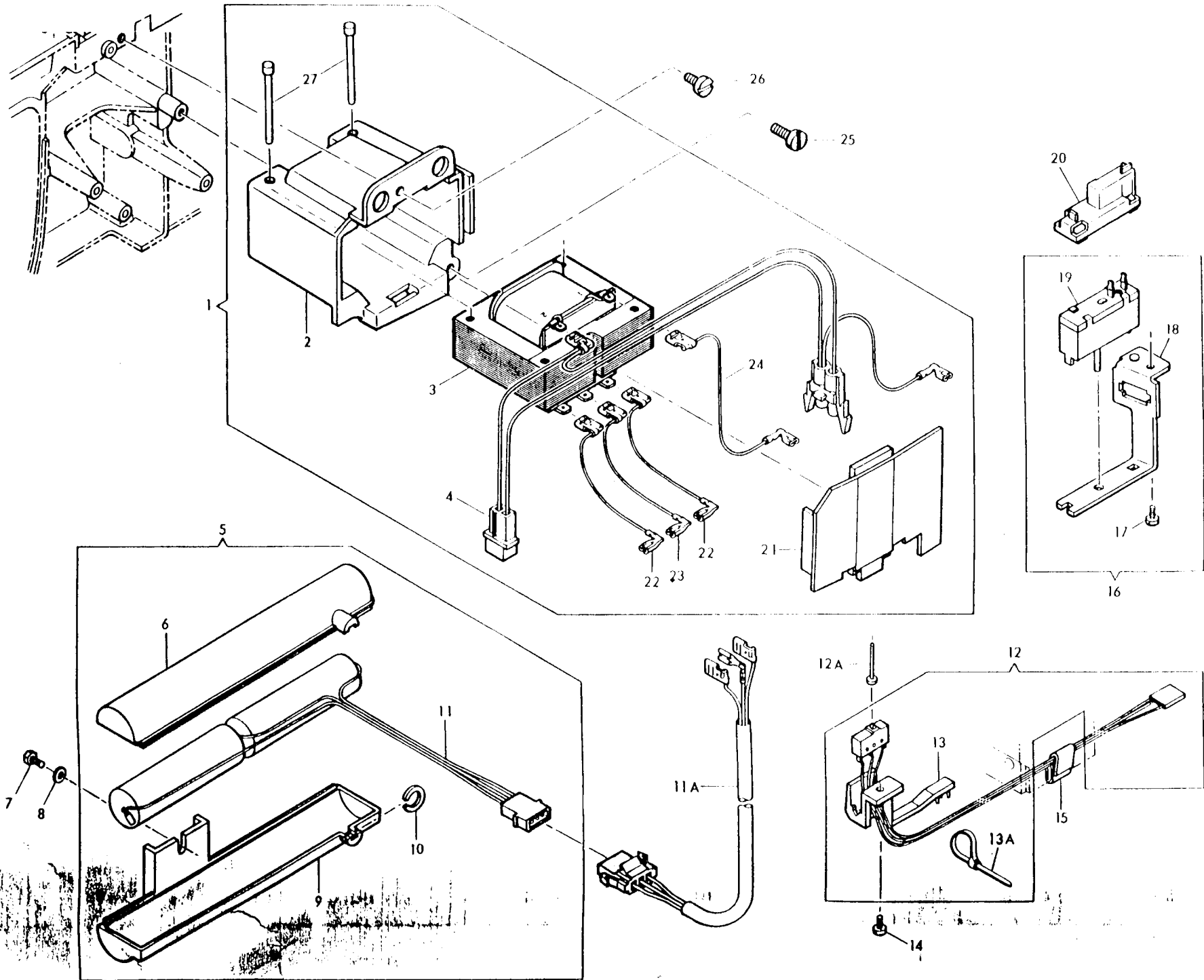


List of Parts - 2000-A Machine (ELECTRICAL PARTS)

REF. NO.	PART NO.	DESCRIPTION	REF. NO.	PART NO.	DESCRIPTION	REF. NO.	PART NO.	DESCRIPTION
1	604588-001	Electrical Equipment Complete	21	604273-903	Circuit Board Assembly	39	382330	Light Switch Actuating Bracket
3	604574-001	Light Complete with 603959-901, 604128-902 and 618702-003	22	618634-002	Self Tapping Screw			Spring Clip
4	603987-001	Light Bracket Spring	23	604035-003	Commutator End Housing	40	382382	Light Switch Actuating Bracket (plastic)
5	619407-003	Light Bracket Mounting Screw	24	140677-003	Round Head Screw (2)	41	382402	Motor Adjusting Stud (eccentric) Complete
6	604128-902	Light Lens	25	604018-001	Washer (2)	42	182009	Motor Adjusting Stud (eccentric)
7	603959-901	Spring Clip	26	603907-002	Nut (2)	43	54585-451	Motor Adjusting Stud (eccentric) Jam Nut
8	618702-003	Screw	27	604491-001	Pulley Assembly	44	151525	Motor Adjusting Stud (eccentric) Retaining Ring
9	777910-001	Lamp	28	604277-904	Switch Complete	45	604280-001	Controller Complete
10	141824-814	Light Shield Sorew	29	618634-002	Self Tapping Sorew (switch) (2)	46	619491-001	Rubber Feet (4)
11	382250	Light Shield	30	604228-001	Motor Adjusting Block	47	619489-003	Base and Pedal Assembly
12	381691	Motor Hinge Pin (left)	31	603975-002	Timing Belt	48	619492-001	Snap-on Plug
13	381867	Motor Hinge Pin Collar (left) with 141802-869	32	382367	Motor Hinge Pin (right)	49	618542-001	Pedal Return Spring (2)
14	141802-869	Motor Hinge Pin Collar (left) Set Sorew	33	151527	Motor Hinge Pin (right) retaining Ring	50	618538-002	Push-on Nut (4)
15	604587-001	Motor Complete	34	381512-453	Light Switch Actuating Rocker Button	51	619192-001	Shoulder Screw
16	604229-001	Motor Hinge Pin Insert (plastic) 2 Required	35	182048-453	Light Switch Actuating Rocker Button (plastic)	52	604173-002	Straight Line Potentiometer
17	706404-017	Hex Nut (2)	36	381513	Light Switch Actuating Rod Retaining Ring	53	618813-001	Strain Relief Clip
18	604034-001	Cover	37	14494	Light Switch Actuating Rocker Button Retaining Ring	54	619184-001	Actuating Lever with Tersion Spring
19	604299-002	Motor Module with two 619434-002	38	381511	Light Switch Actuating Rod	55	604278-001	Cord Complete
20	619434-002	Brush with Spring (2)						

** Per NPS
604792 call
should work*

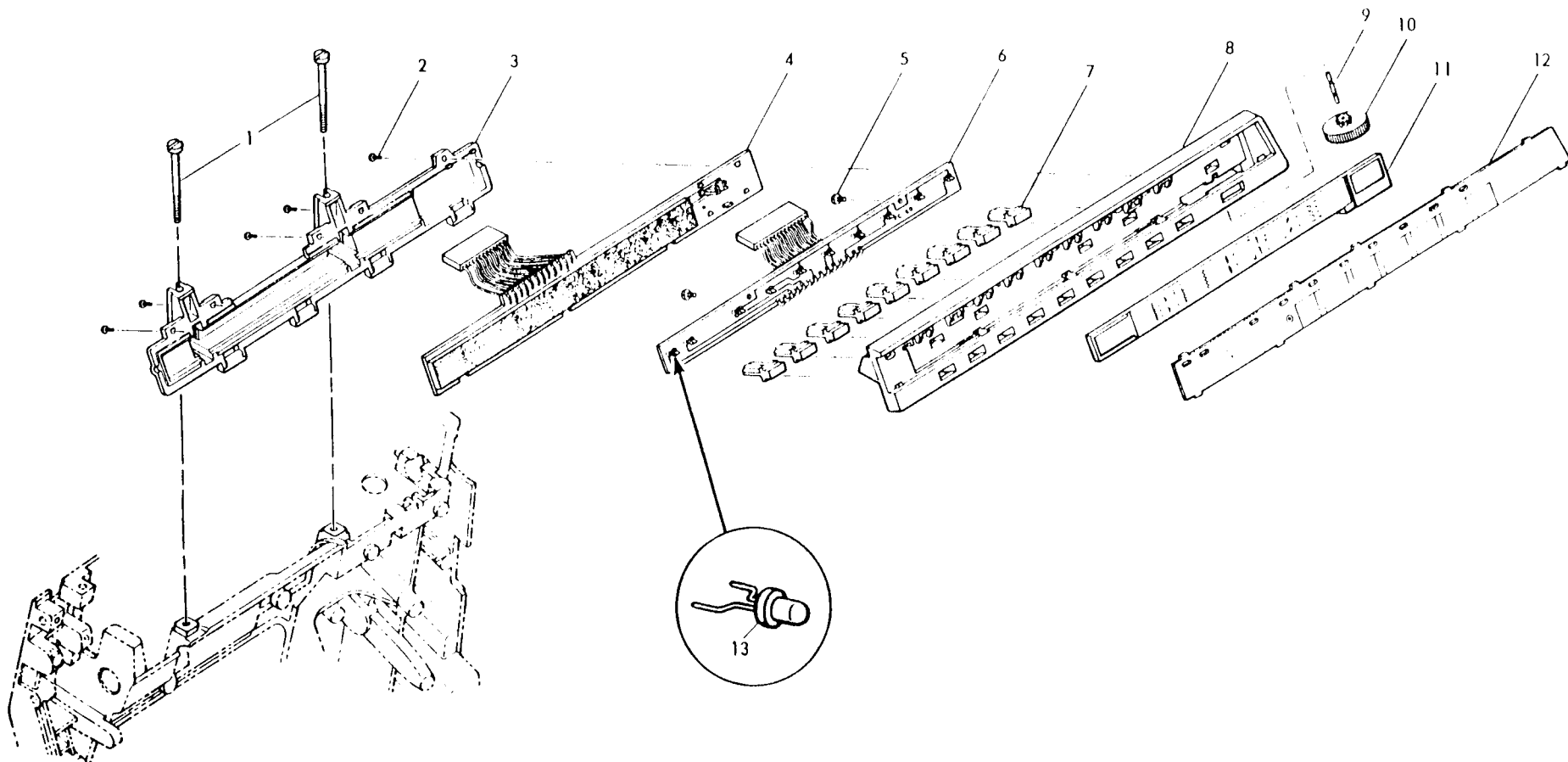
List of Parts - 2000-A Machine (ELECTRICAL PARTS)



List of Parts - 2000-A Machine (ELECTRICAL PARTS)

REF. NO.	PART NO.	DESCRIPTION	REF. NO.	PART NO.	DESCRIPTION	REF. NO.	PART NO.	DESCRIPTION
1	382694	Transformer Assembly	11	605659-001	Capacitors with Harness	16	604493-001	Circuit Breaker with Bracket
2	382597	Transformer Housing	11A	605583-001	Capacitor Harness with Socket Housing	17	354529-451	Bracket Mounting Screw
3	605546-901	Transformer	12	605658-001	Straight Stitch Safety Switch Harness and Mounting Bracket	18	604494-001	Mounting Bracket
4	604670-001	Harness Complete	12A	382778	Straight Stitch Safety Switch Actuating Plunger (plastic) (in bed)	19	605522-001	Circuit Breaker
5	605660-001	Capacitor with Harness and Housing Assembly	13	382777	Straight Stitch Safety Switch Mounting Bracket (plastic)	20	604510-001	Circuit Breaker Cover
6	382684	Capacitor Housing (upper)	13A	605600-001	Cable Tie Wrap (plastic)	21	382598	Transformer Retainer
7	354550-451	Capacitor Housing Mounting Screw	14	141824-814	Straight Stitch Safety Switch Bracket Screw	22	605577-902	Lead with Receptacles (red) (2)
8	931868-027	Capacitor Housing Mounting Screw Washer	15	382869	Straight Stitch Safety Switch Harness Retaining Clip	23	605577-901	Lead with Receptacles (black)
9	382683	Capacitor Housing (lower)				24	604586-001	Lead with Terminals
10	151545	Capacitor Housing Clamping Ring				25	354090-451	Transformer Assembly Mounting Screw
						26	354090-451	Transformer Assembly Mounting Screw
						27	382896	Transformer Retaining Pin (plastic) (2)

List of Parts - 2000-A Machine

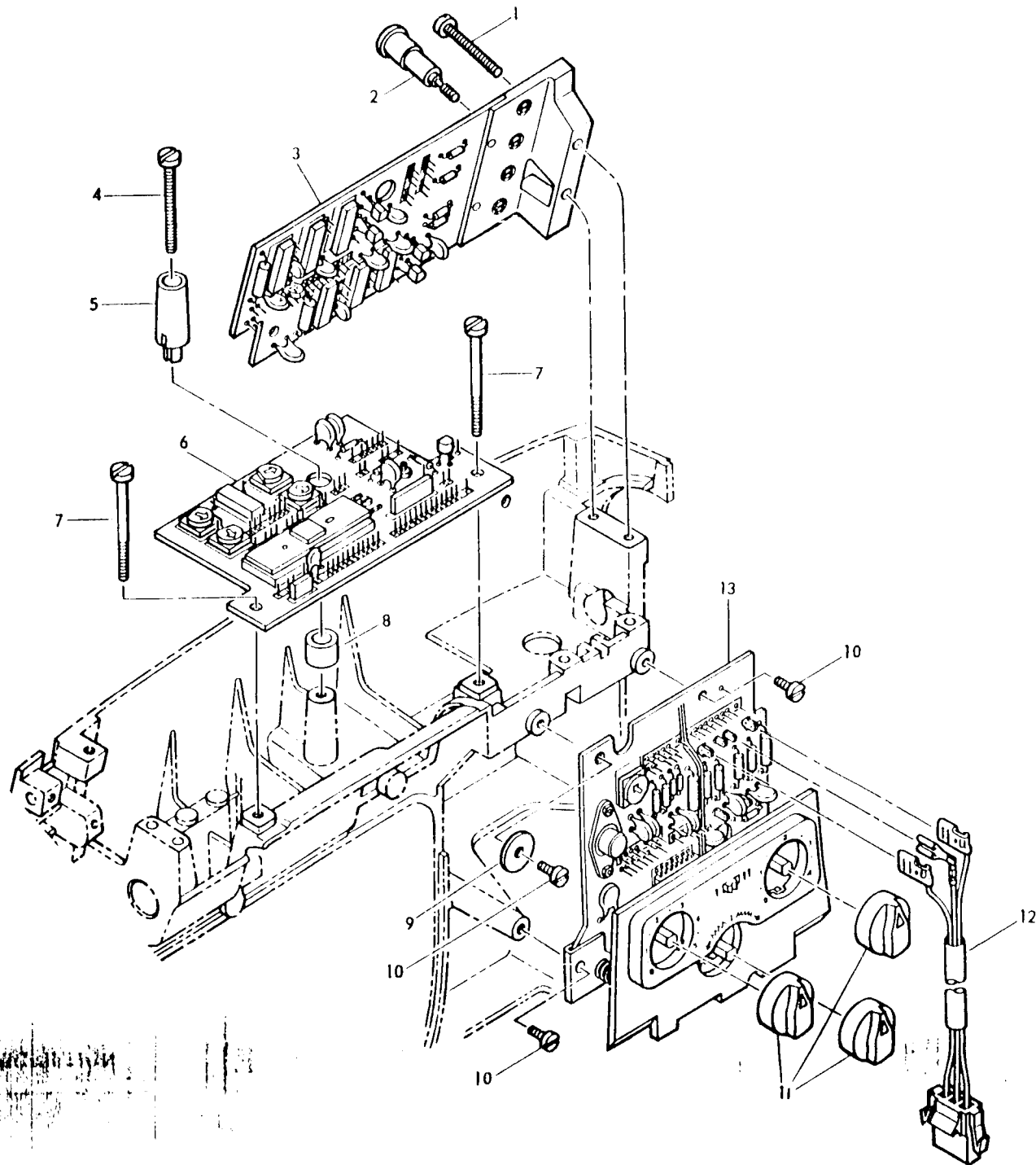


OF PATTERN SELECTION BUTTON CARRIER (ASSEMBLY NO. 382693)

List of Parts - 2000-A Machine

REF. NO.	PART NO.	DESCRIPTION	REF. NO.	PART NO.	DESCRIPTION	REF. NO.	PART NO.	DESCRIPTION
1	354315-451	Button Board Mounting Screw (2)	5	354466-451	Pattern Selection Button LED Board Screw	9	382274-900	Stitch Pattern Selector Wheel Hinge Pin
2	354465-451	Pattern Selection Button Board Cover Screw	6	605612-001	Pattern Selection LED Board Assembly	10	382272-900	Stitch Pattern Selector Wheel
3	382150	Pattern Selection Button Board Cover	7	382265	Pattern Selection Button (9)	11	382687	Stitch Pattern Index Panel with Graphics
4	605536-001	Pattern Selection Button Board Assembly	8	382155	Pattern Selection Button Carrier	12	382132	Stitch Pattern Index Panel Mask
						13	605534-901	L.E.D. (light emitting diode-red) (OPCOA MSL-7) (10)

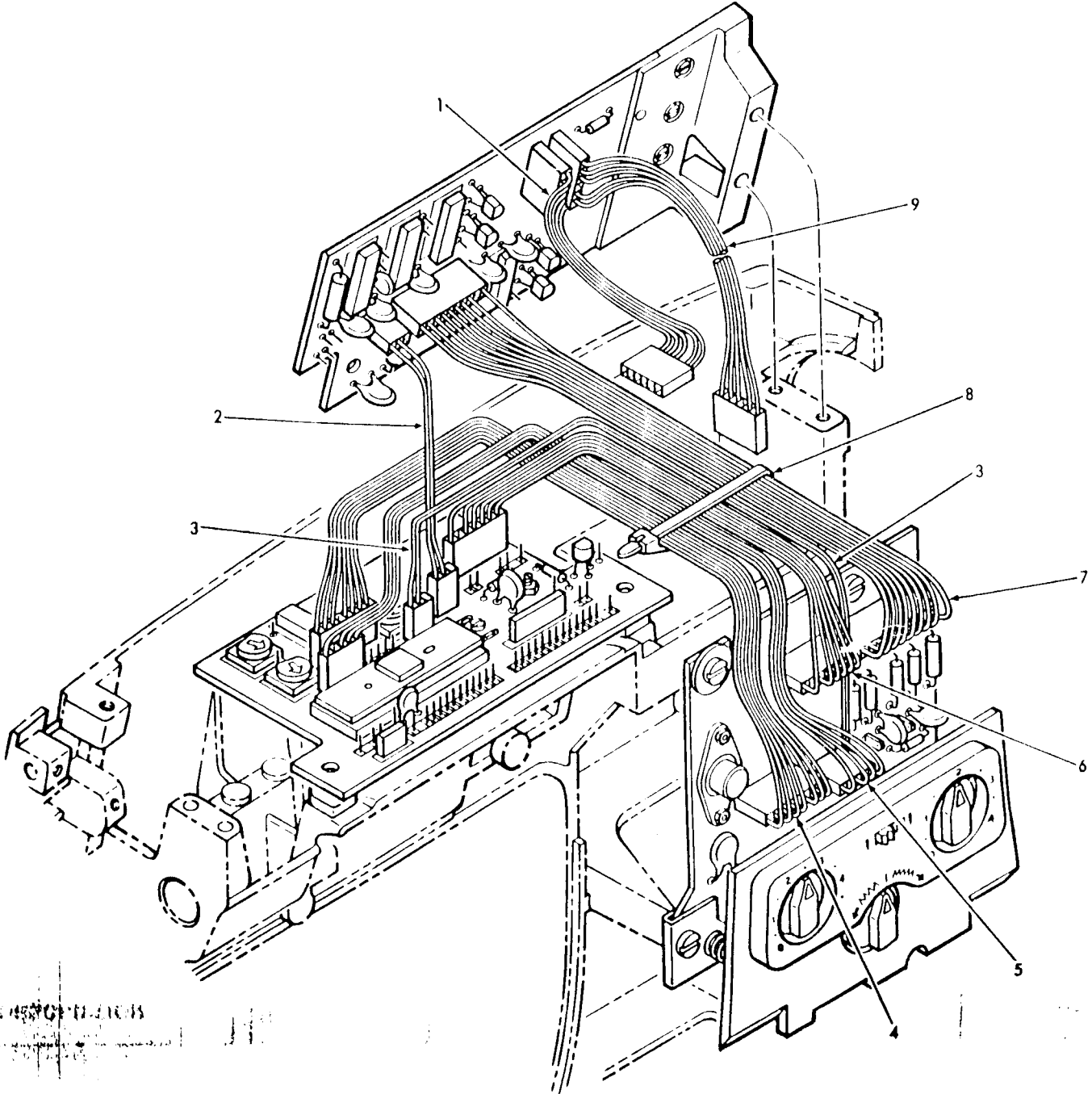
List of Parts - 2000-A Machine (P.C. BOARD LOCATIONS)



List of Parts - 2000-A Machine (P.C. BOARD LOCATIONS)

REF. NO.	PART NO.	DESCRIPTION	REF. NO.	PART NO.	DESCRIPTION	REF. NO.	PART NO.	DESCRIPTION
1	354537-451	Linear Servo P.C. Board Screw	6	605531-004	Master Control Logic Board Assembly	10	354090-451	Override Control P.C. Board Screw (3)
2	382681	Arm Top Cover Guide Screw Stud	7	354578-451	Master Control Logic Board and Pattern Selection Button Board Cover Screw (2)	11	382553	Right Control Dial, Feed Balancing Dial and Feed Control Dial
3	605533-001	Linear Servo P.C. Board Assembly	8	382593	Master Control Logic Board Spacer Retainer (plastic)	12	605583-001	Capacitor Harness with Socket Housing
4	354612-451	Master Control Logic Board Screw	9	382870	Override Control P.C. Board Screw (upper left) Washer	13	604924-901	Override Control P.C. Board Assembly
5	382554	Master Control Logic Board Spacer (plastic)						

List of Parts - 2000-A Machine (P.C. BOARD HARNESS CONNECTIONS)

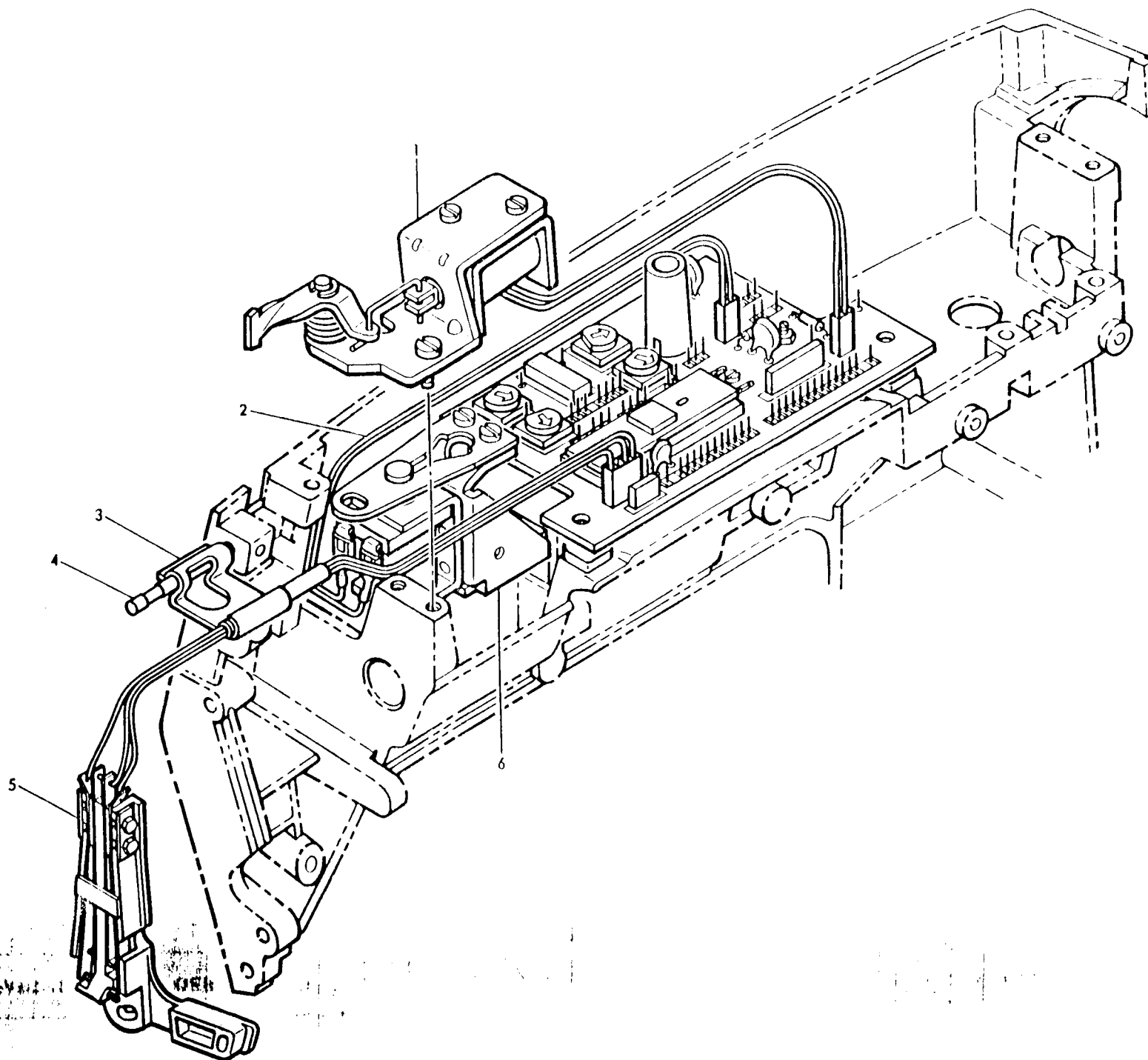


14570712-103

List of Parts - 2000-A Machine (P.C. BOARD HARNESS CONNECTIONS)

REF. NO.	PART NO.	DESCRIPTION	REF. NO.	PART NO.	DESCRIPTION	REF. NO.	PART NO.	DESCRIPTION
1	605632-001	Harness Complete (bight motor to servo board)	4	605628-001	Harness Complete (8 pin) (override board to logic)	7	605631-001	Harness Complete (10 pin) (override board to servo board)
2	605630-001	Harness Complete (3 pin) (logic to servo board)	5	605629-001	Harness Complete (5 pin) (override board to logic)	8	605600-001	Cable Tie Wrap (plastic)
3	605699-901	Twin Needle Safety Switch Harness	6	605627-901	Harness Complete (7 pin) (override board to logic)	9	605633-001	Harness Complete (feed motor to servo board)

List of Parts - 2000-A Machine (BUTTONHOLER SWITCH, N.B. RELEASE SOLENOID AND SAFETY SOLENOID)



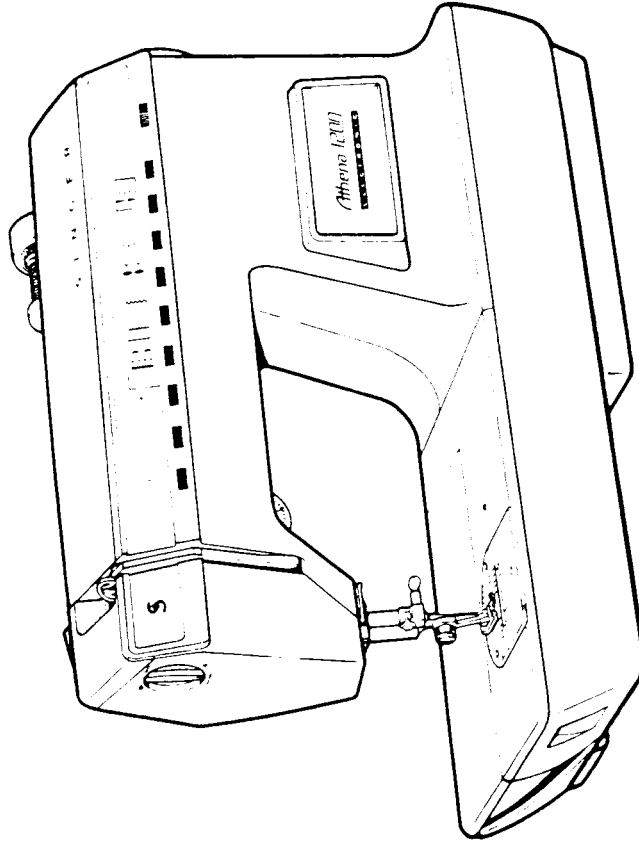
List of Parts - 2000-A Machine (BUTTONHOLER SWITCH, N.B. RELEASE SOLENOID AND SAFETY SOLENOID)

REF. NO.	PART NO.	DESCRIPTION	REF. NO.	PART NO.	DESCRIPTION	REF. NO.	PART NO.	DESCRIPTION
1	382245	Needle Bar Release Solenoid and Bracket	4	382162	Face Plate Positioning Stud			
2	605626-901	Harness Complete (2-pin) (straight stitch safety solenoid to logio)	5	604965-001	Buttonholer Switch and Leads Assembly			
3	382768	Harness Grommet Retaining Clip	6	382936	Needle Bar Driving Arm Positioning Solenoid Complete			

SINGER
1200A

Supplier: Ital

List of Parts - 1200 A Machine



ATTACHMENT SET 381382

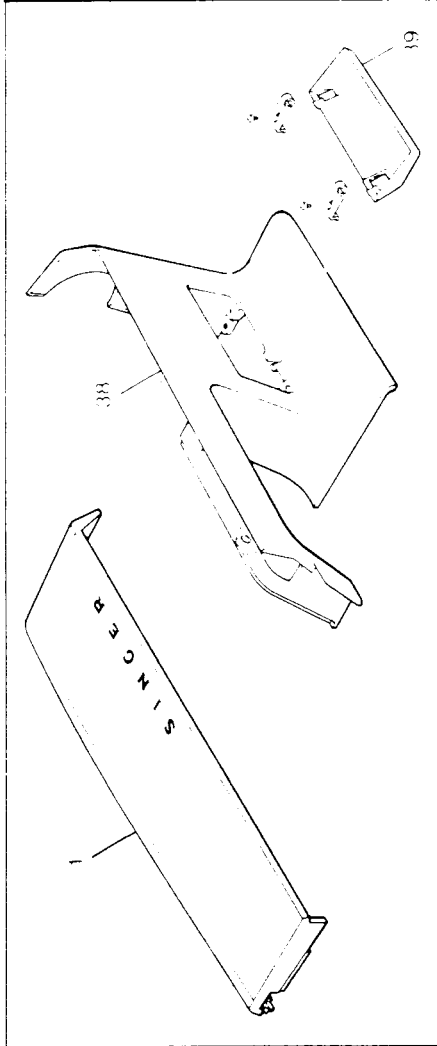
161166	Presser Foot Complete for Cording and Slide Fasteners
161172	Seam and Blind Stitch Hem Guide Complete
171110	Blind Stitch Hem Guide
171434-451	Attachment Box (deluxe)
171438-451	Chain Stitch Attachment Loop Retainer Insert Complete
171460	Presser Foot Plate (snap-on, slotted) for Slant Overedge and Overedge Stretch Stitch
171463	Special Purpose Presser Foot Plate (snap-on)
181551	Bobbin (3) (plastic)
381039	Attachment Box Insert (foam, plastic)
381066	Presser Foot for Button Sewing
381114-451	Spool Pin for Twin Needle Sewing (plastic)
381244	Chain Stitch Attachment Throat Plate
381245	Throat Plate for Straight Sewing
381247	Feed Cover Plate, for Darning, Embroidery and Button Sewing
381251	Needle Package (plastic)
501750	Lint Brush
502277	Presser Foot Plate (snap-on) for Straight Sewing
506377	Presser Foot Plate (snap-on) for Sewing Buttonholes (two-step)
506415-452	Even Feed Foot (complete)
507664-454	Arm Spool Pin Thread Lead-Off (small, plastic)
507909	Darning and Embroidery Foot (plastic)
511267	Buttonhole Marking and Measuring Gauge
642616	Seam Ripper

This List of Parts must be used in conjunction with Form 730-2000A



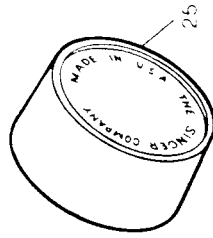
Supplemental List of Parts 1200 Machine

Note: The reference and part numbers shown below are to be used in place of parts enumerated on List of Parts for 2000 Machine.



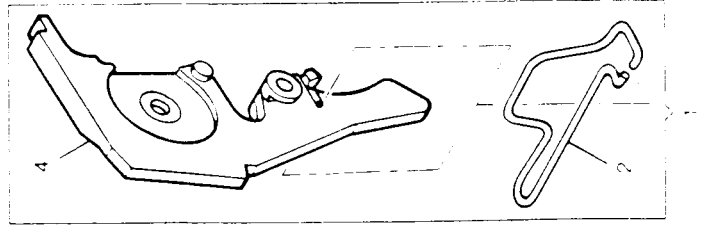
COVERS AND ADD-ONS (Supplement to page 3)

REF. NO.	PART NO.	DESCRIPTION
1	382127	Arm Top Cover (Cream Tint)
38	382845-451	Arm Front Cover Assembly (Cream Tint)
39	383491-451	Arm Front Cover Lid (Cream Tint)



NEEDLE BAR DRIVE AND HAND WHEEL (Supplement to page 5)

REF. NO.	PART NO.	DESCRIPTION
25	383506-451	Hand Wheel with Name Plate

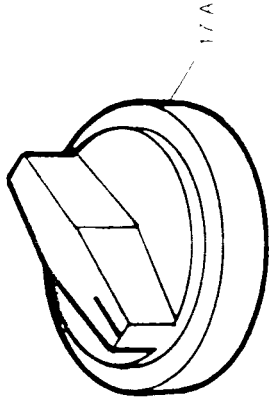


TENSION MODULE (Supplement to page 13)

REF. NO.	PART NO.	DESCRIPTION
1	382082-452	Thread Take-up Spring with Thread Guard 382081-451 (Brown)
4	382081-452	Thread Guard (Brown)
38	382083-452	Tension Module Complete (all parts 1-37 included)

Supplemental List of Parts 1200 Machine

Note: The reference and part numbers shown below are to be used in place of parts enumerated on List of Parts for 2000 Machine.



HEAD END MODULE (Supplement to page 15)

REF. NO.	PART NO.	DESCRIPTION
8	383036-452	Head End Module Complete
17A	382065-452	Presser Bar Regulating Dial (Brown)

LOGIC ELECTRICS AND CONTROLS (Supplement to page 22)

REF. NO.	PART NO.	DESCRIPTION
4	605359-001	Pattern Selection Button Board Assembly
6	605352-001	Pattern Selection LED Board Assembly
7	382265-452	Pattern Selection Button 8 (Brown)
7A	383145-452	Reverse Feed Button (Brown)
8	382155-452	Pattern Selection Button Carrier (Brown)
8A	383496	Pattern Selection Button Carrier Assembly
11	383493	Switch Pattern Index Panel with Graphics (Brown)
12	383494	Switch Pattern Index Panel Mask (Brown)
	383507	Pattern Selection Button Carrier with Logic Board Assembly

