

**SINGER**  
**477K**

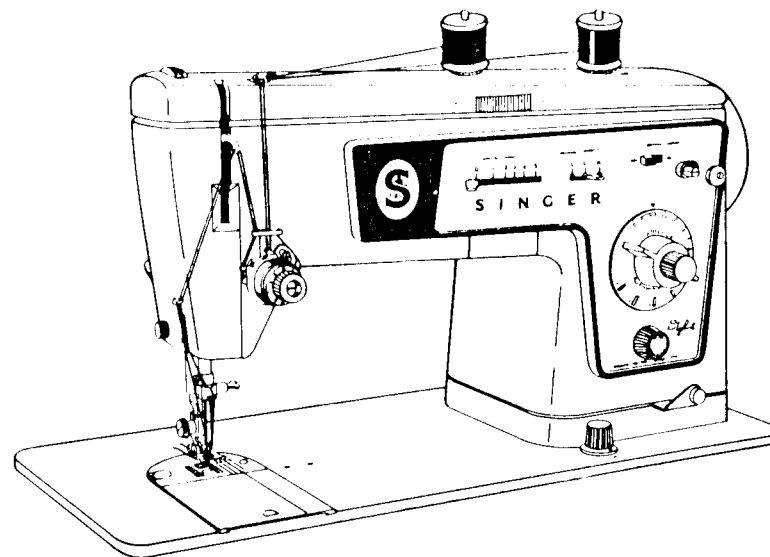
# Parts Chart for SINGER\* 477K Class Machines

MACHINE NO. 477K

*Arm and Bed Textured Alabaster Grey c.c. 673*

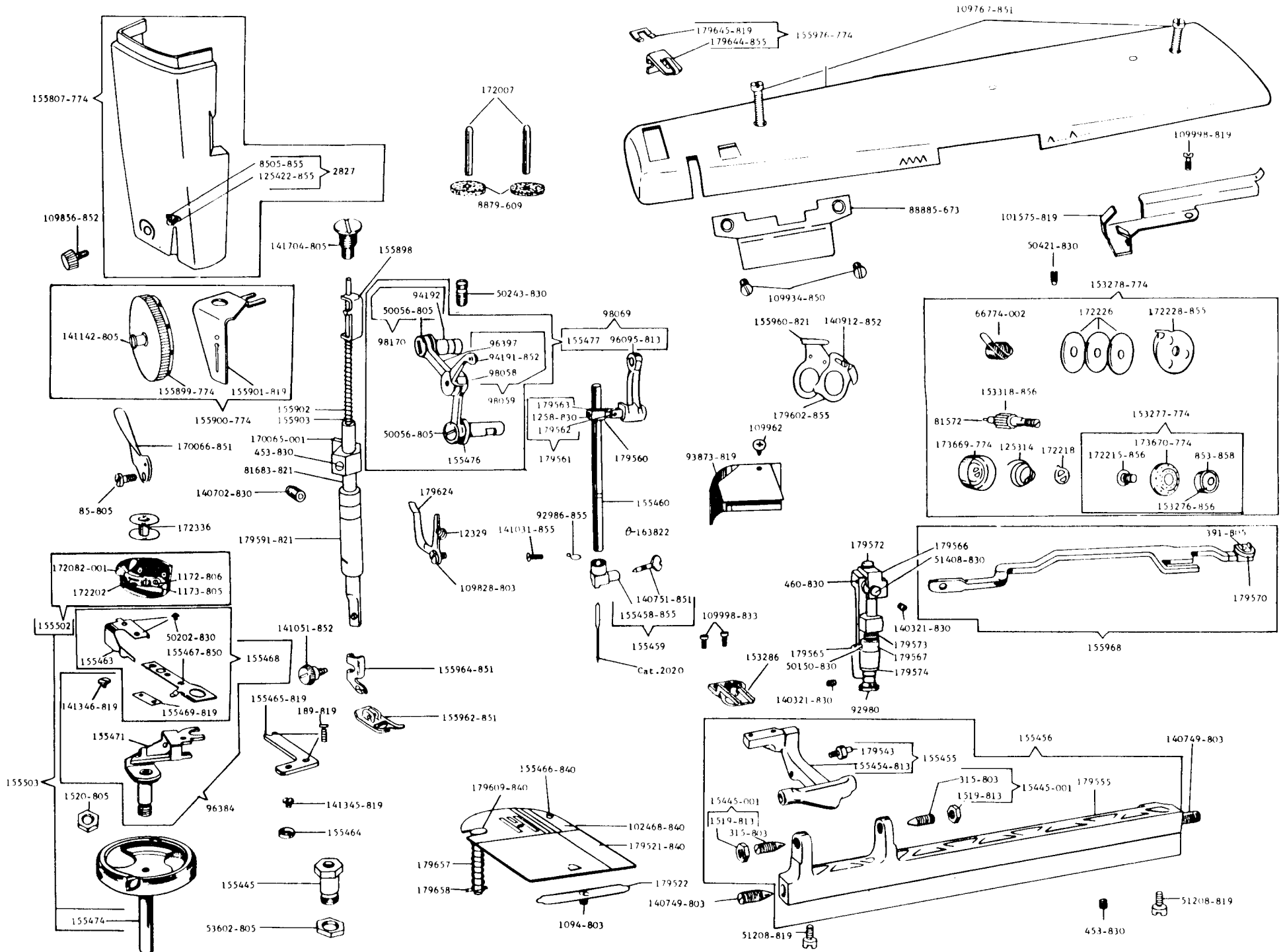
*Hand Wheel, Face Plate, etc. Alabaster Grey c.c. 774*

*Control Panel, etc. Graphics Navy c.c. 670*

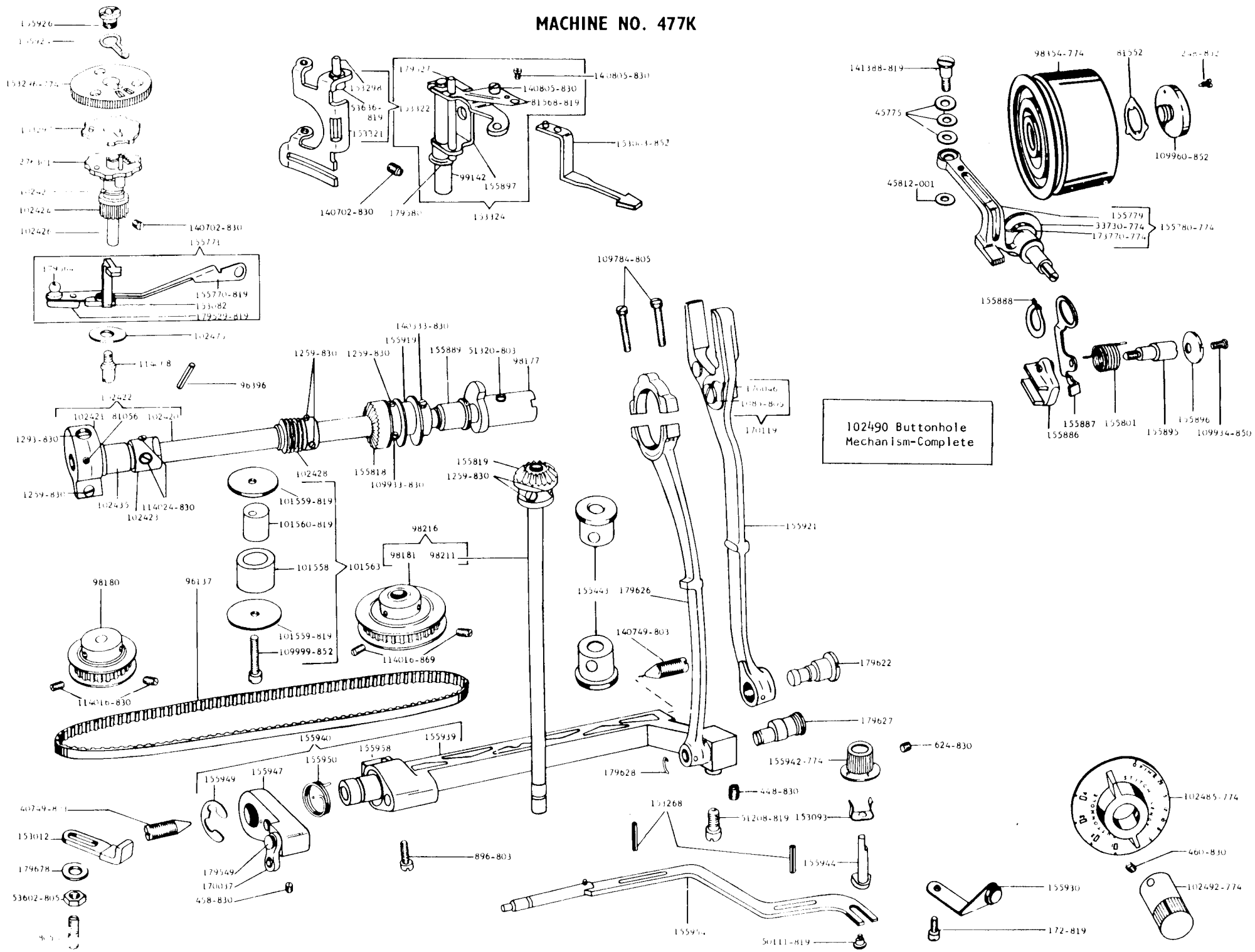


\* A Trademark of THE SINGER COMPANY  
© 1968 by The Singer Manufacturing Co. Ltd.  
*All rights reserved throughout the world.*

MACHINE NO. 477K



# MACHINE NO. 477K



102490 Buttonhole Mechanism-Complete

MACHINE NO. 477K

